

# Product Specifications

<b>Customer</b>	
<b>Model Name</b>	<b>NTWP156-4 V511</b>
<b>Model Number</b>	NTWP156H <u>X4XX</u> -GI <u>XXXXXX</u> - <u>XX</u> F5-511

\* X = A~Z, 0~9 (Depends on Options.)



Records of Revision			
Vision	Modifying	Old Description	New Description
v2407.1	Preliminary Specification		

# Nextech WP Series 15.6" All-in-one Industrial Touch PC

**NTWP156-4 V511**

## Features

- ★ 15.6 inch Wide Industrial Grade Panel, 1920x1080(FHD) Resolution
- ★ AHVA Wide Viewing Angle Technology (178°/178°)
- ★ 1000nits High Brightness
- ★ Operating Temperature Range -30~85°C
- ★ Intel® 11th Generation Core i Series CPU
- ★ DDR4 8G RAM (Max. 64G)
- ★ Narrow Bezel, True Flat Projected Capacitive Touch Screen
- ★ UV-protective, 7H Hardness Tempered Cover Glass
- ★ 10 points Multi-touch, Supports NEXTECH Dedicated Stylus
- ★ Metal Cabinet with Diverse Combine Options
- ★ Made in Taiwan, 3 Years Warranty, Designed for Harsh Environments
- ★ Optional Anti-Glare&UV/Antibacterial/Privacy Filter Surface Treatment



PSE



BSMI



RoHS



CE



ISO9001



FCC



Desktop Stand



Wall Mounting



Open-frame Bracket



Panel Mount

## System Specifications

CPU	<b>Intel® 11th Generation Core i Series CPU</b>
Memory	<b>DDR4 SO-DIMM x2, Max. 64G</b>
Storage	<b>Ultra-Fast M.2 with PCIe Gen3 x2, SATA 6Gb/s x1</b>
GPU	<b>Intel® UHD Graphics</b>
Sound Chip	<b>Realtek Audio CODEC</b>
Network	<b>Intel Gigabit LAN, RJ45 ports x2</b>

## Display Specifications

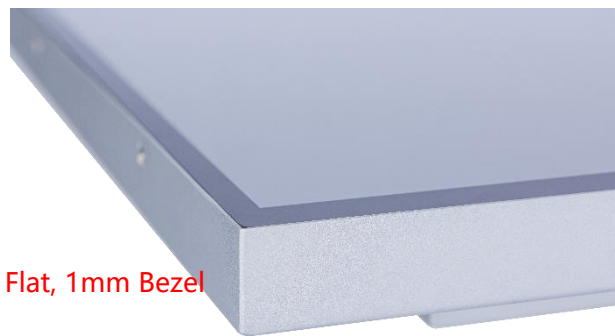
Screen Diagonal	<b>15.6 inch</b>	Display Mode	<b>AHVA Mode, Normally Black</b>
Display Area	<b>344.2x193.6 mm</b>	Backlight Unit	<b>LED (white LED)</b>
Resolution	<b>1920x1080 (FHD)</b>	Viewing Angle (L/R, U/D)	<b>178°/178° (CR=10)</b>
Contrast Ratio	<b>1000:1</b>	Response Time	<b>25 msec.</b>
Display Ratio	<b>16:9</b>	Backlight Lifetime	<b>&gt;50,000 Hours</b>
Support Colors	<b>16.7M Colors</b>	Operating Temp.	<b>-30~85°C</b>
Pixel Pitch	<b>0.17925x0.17925 mm</b>	Storage Temp.	<b>-30~85°C</b>
Brightness	<b>1500 nits</b>		

## Touch Options

Touch Screen		
	Description	Model Name
<b>Standard</b>	<b>Projected Capacitive Touch</b>	<b>NTWP156HP4XX-GIXXXXX-XXF5-511</b>
Option 1	Resistive Touch	NTWP156H54XX-GIXXXXX-XXF5-511
Option 2	Non-Touch	NTWP156H04XX-GIXXXXX-XXF5-511

### Projected Capacitive

Touch Technology	Projected Capacitive	Thickness of Cover Lens	2.0±0.2mm
Allowed Touch Points	10 points	Hardness of Cover Lens	7H
Transparency	≥87%	IK Ratings	IK07
Accuracy	99.00%		



\* True Flat, 1mm Bezel

### Resistive Touch

Touch Technology	Resistive Touch	Transparency	80%±5%
Allowed Touch Points	1 point	Surface Treatment	Anti-glare<15%
Precision	98.50%	Hardness	≥3H

Surface Treatment		
	Description	Model Name
<b>Standard</b>	<b>(none)</b>	<b>NTWP156HX400-GIXXXXX-XXF5-511</b>
Option 1	Anti-Glare&UV Coating	NTWP156HX4GG-GIXXXXX-XXF5-511
Option 2	Antibacterial (AB Film)	NTWP156HX4AB-GIXXXXX-XXF5-511
Option 3	Anti-Spy (AS Film)	NTWP156HX4SF-GIXXXXX-XXF5-511

## System Options

CPU		
	Item	Model Name
<b>Standard</b>	<b>Intel® Core i3-1115G4E</b>	<b>NTWP156HX4XX-GI<b>31</b>XXX-XXF5-511</b>
Option 1	Intel® Core i5-1135G7	NTWP156HX4XX-GI <b>51</b> XXX-XXF5-511
Option 2	Intel® Core i7-1165G7	NTWP156HX4XX-GI <b>71</b> XXX-XXF5-511

Memory		
	Item	Model Name
<b>Standard</b>	<b>DDR4 SO-DIMM 8G</b>	<b>NTWP156HX4XX-GIXX<b>8</b>XX-XXF5-511</b>
Option 1	DDR4 SO-DIMM 16G	NTWP156HX4XX-GIXX <b>A</b> XX-XXF5-511
Option 2	DDR4 SO-DIMM 32G	NTWP156HX4XX-GIXX <b>B</b> XX-XXF5-511
Option 3	DDR4 SO-DIMM 64G	NTWP156HX4XX-GIXX <b>C</b> XX-XXF5-511

Storage		
	Item	Model Name
<b>Standard</b>	<b>SSD 128G</b>	<b>NTWP156HX4XX-GIXXX<b>S1</b>-XXF5-511</b>
Option 1	SSD 256G	NTWP156HX4XX-GIXXX <b>S2</b> -XXF5-511
Option 2	SSD 512G	NTWP156HX4XX-GIXXX <b>S3</b> -XXF5-511
Option 3	SSD 1TB	NTWP156HX4XX-GIXXX <b>S4</b> -XXF5-511

Material of Cabinet		
	Item	Model Name
<b>Standard</b>	<b>SECC</b>	<b>NTWP156HX4XX-GIXXXXXX-<b>S</b>XF5-511</b>
Option 1	Stainless Steel	NTWP156HX4XX-GIXXXXXX- <b>L</b> XF5-511
Option 2	Aluminum	NTWP156HX4XX-GIXXXXXX- <b>A</b> XF5-511

## System Options (Continued)

Color of Cabinet		
	Description	Model Name
<b>Standard</b>	<b>Silver</b>	<b>NTWP156HX4XX-GIXXXXX-XSF5-511</b>
Option 1	White	NTWP156HX4XX-GIXXXXX-XWF5-511
Option 2	Black	NTWP156HX4XX-GIXXXXX-XBF5-511
Options	Other Colors	NTWP156HX4XX-GIXXXXX-XXF5-511

\* X = A~Z, 0~9 (Depends on Color)

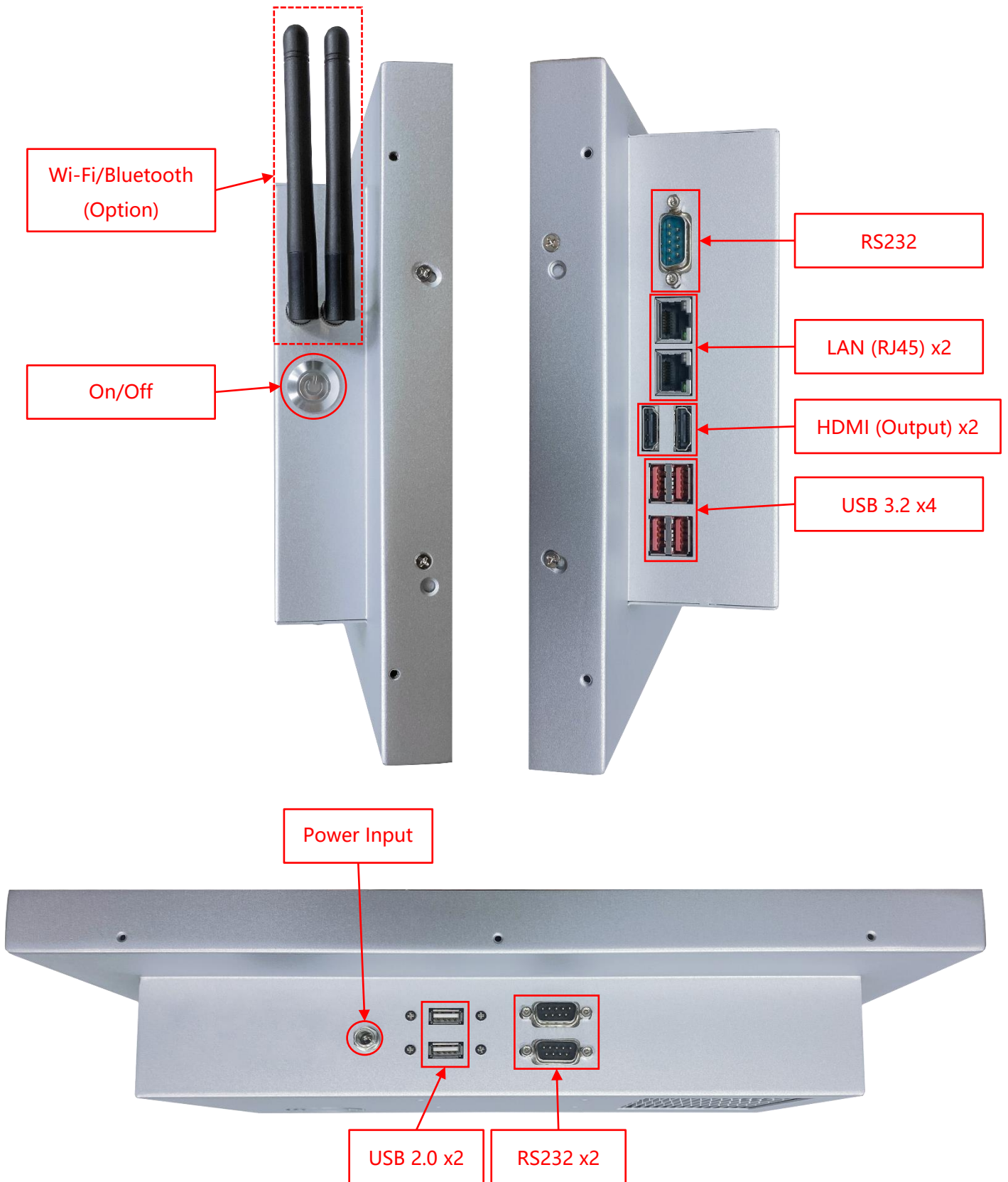
## Other Options

Wireless Network (Option)	
Spec	Wi-Fi a/b/g/n/ac, Dual Mode Bluetooth 2.1/2.1+EDR,3.0,3.0+HS,4.0 (BLE) (Wi-Fi+BT4.0)

Passive Stylus Pen (Option)	
Technology	Passive High Sensitive Knitted Wire Mesh Fiber Tip
Size of tip	6mm
Magnetic Attachment	Yes

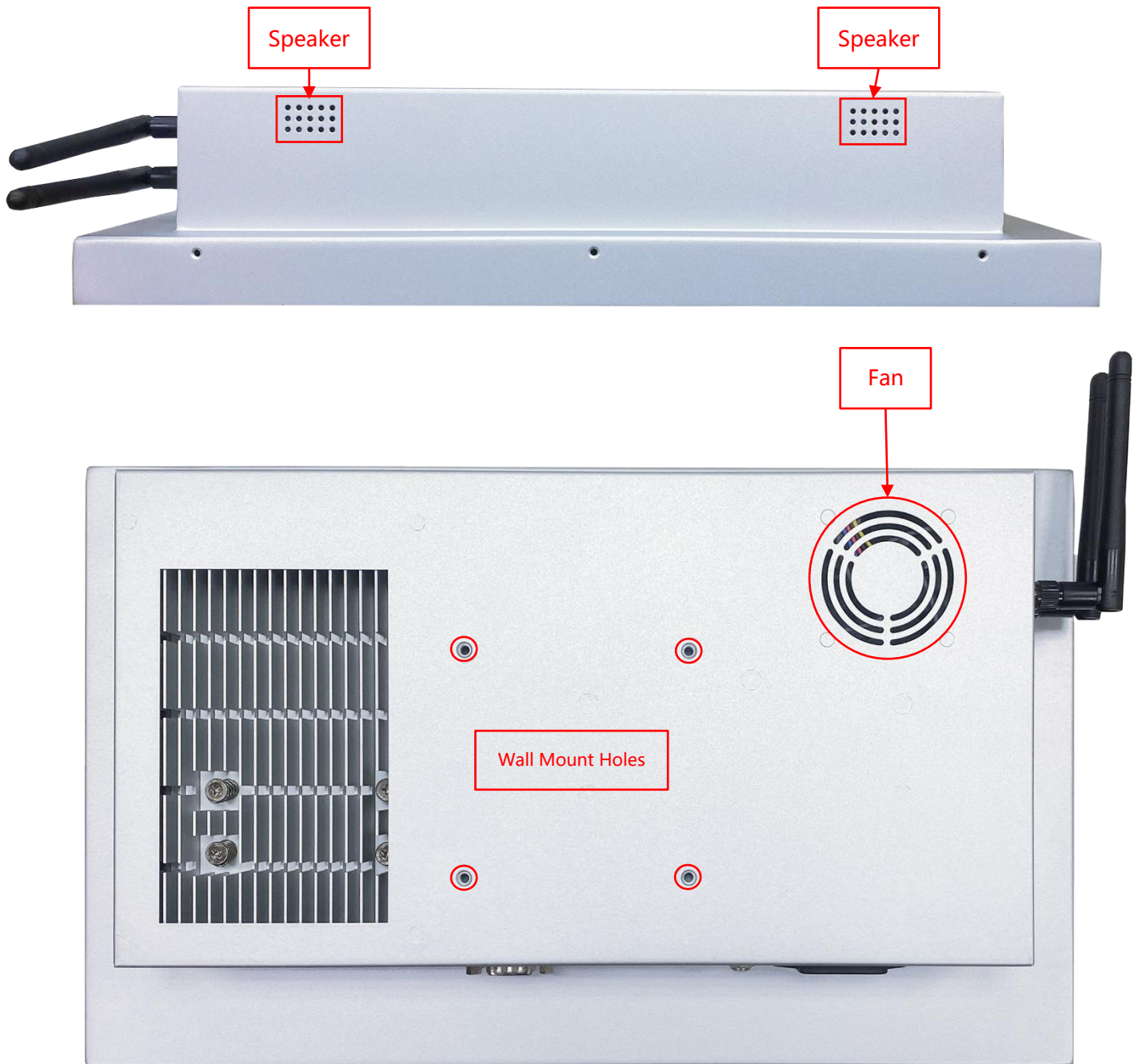


## Input /Output System



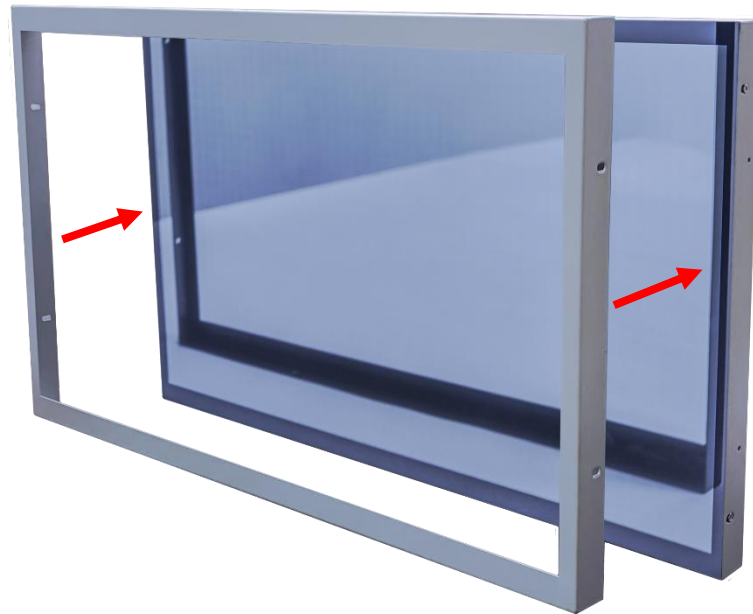
# Nextech WP Series 15.6" All-in-one Industrial Touch PC

**NTWP156-4 V511**



Input / Output	Connectors	Input / Output	Connectors
HDMI (Output)	2	LAN (RJ45)	2
USB 3.2 Gen2	4	Speakers	1W x2
USB 2.0	2	DC Power Input	1
RS232	3	Wi-Fi/Bluetooth & Antenna	Option

## Front Cover (Option)



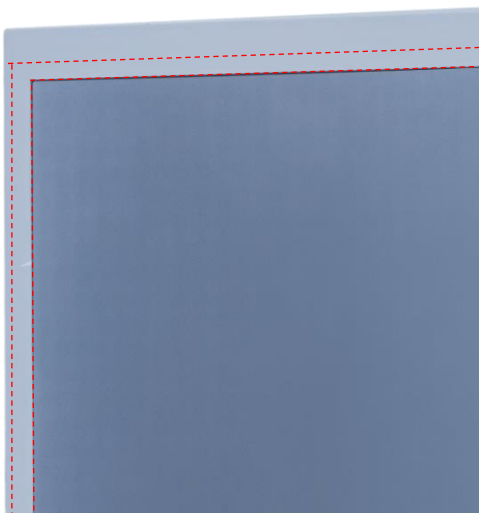
The standard **NTWP156** is true flat surface.

To protect the corners of the touch screen, the Front Cover can be added.

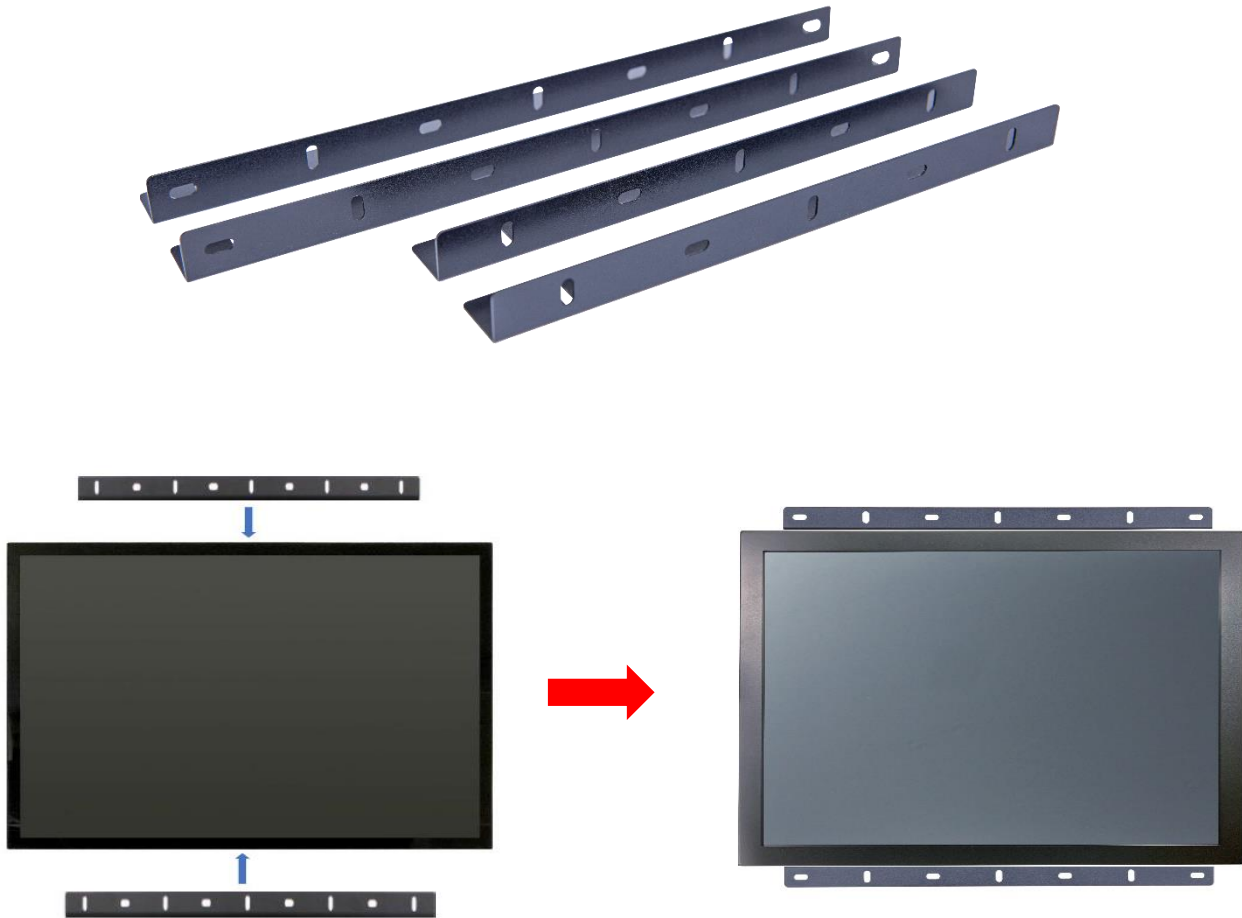


The watertight gasket can be added between the Front Cover and **NTWP156**.

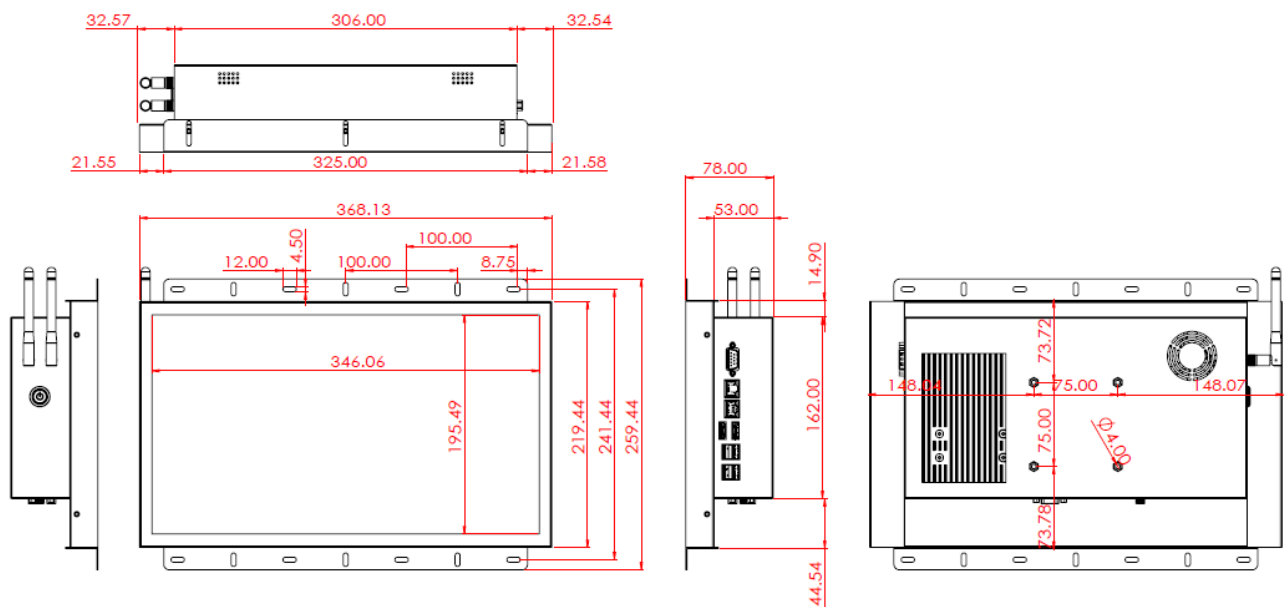
It complies **IP65** on front.



Open-frame Brackets (Option)



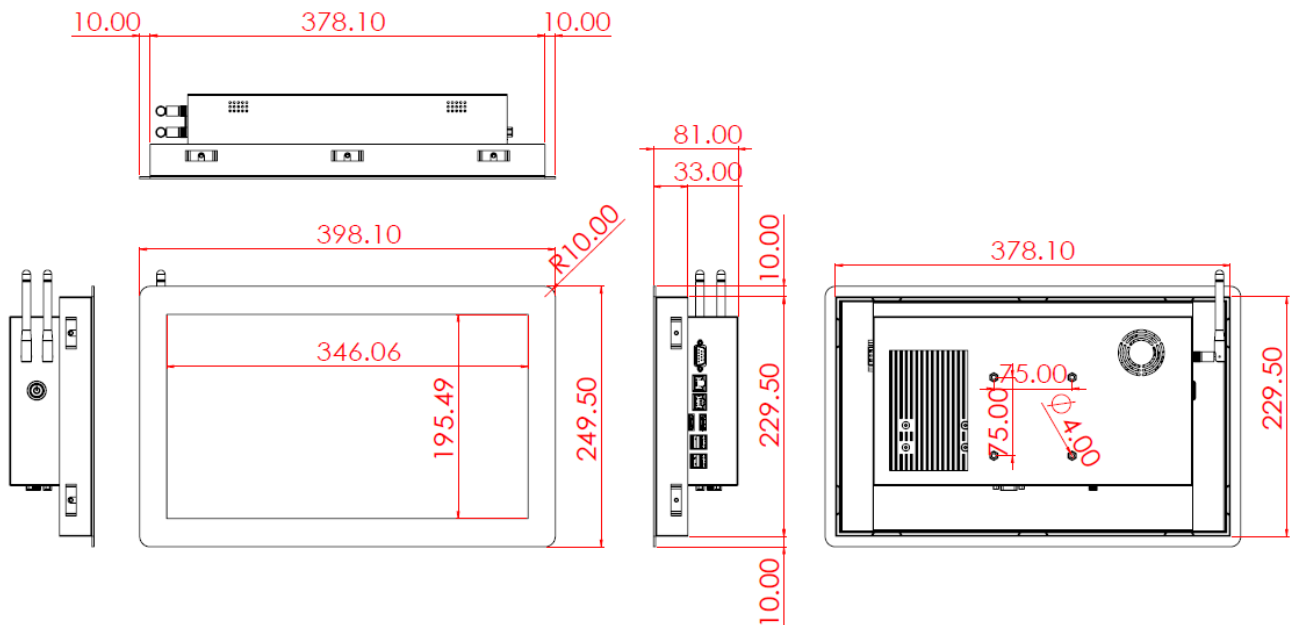
Dimension for Installing with Open-frame Brackets

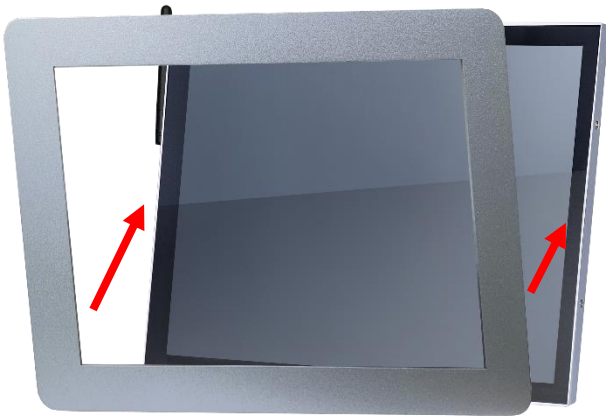


**Panel Mount Kits (Option)**

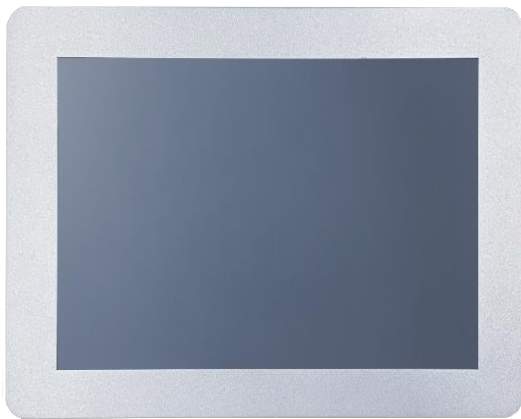
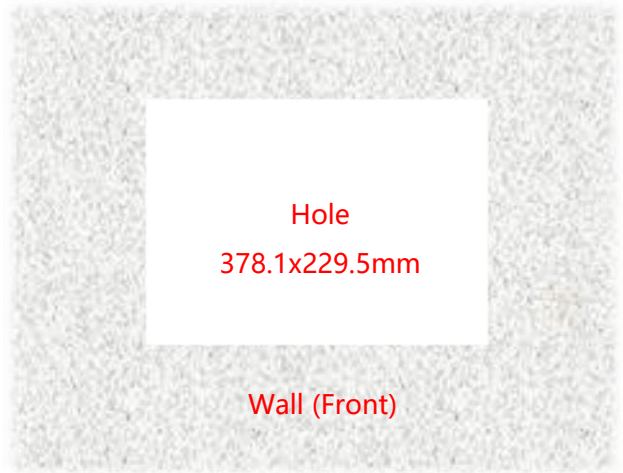


**Dimension for Installing with Panel Mount Kit**

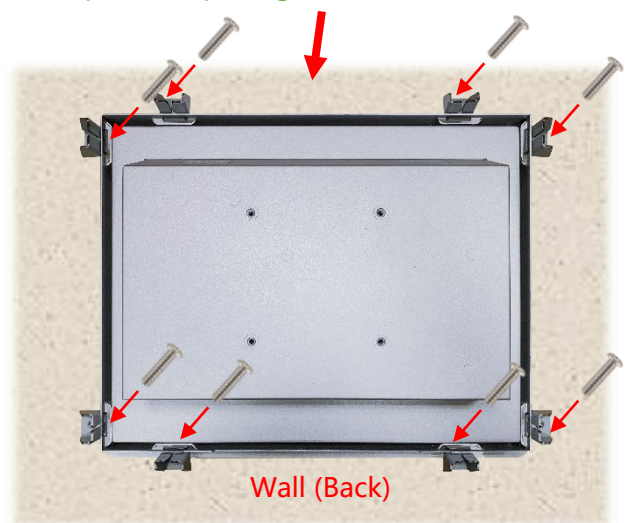




Step 1: Assemble the front module with the screen body. (This step is pre-assembled at the factory.)



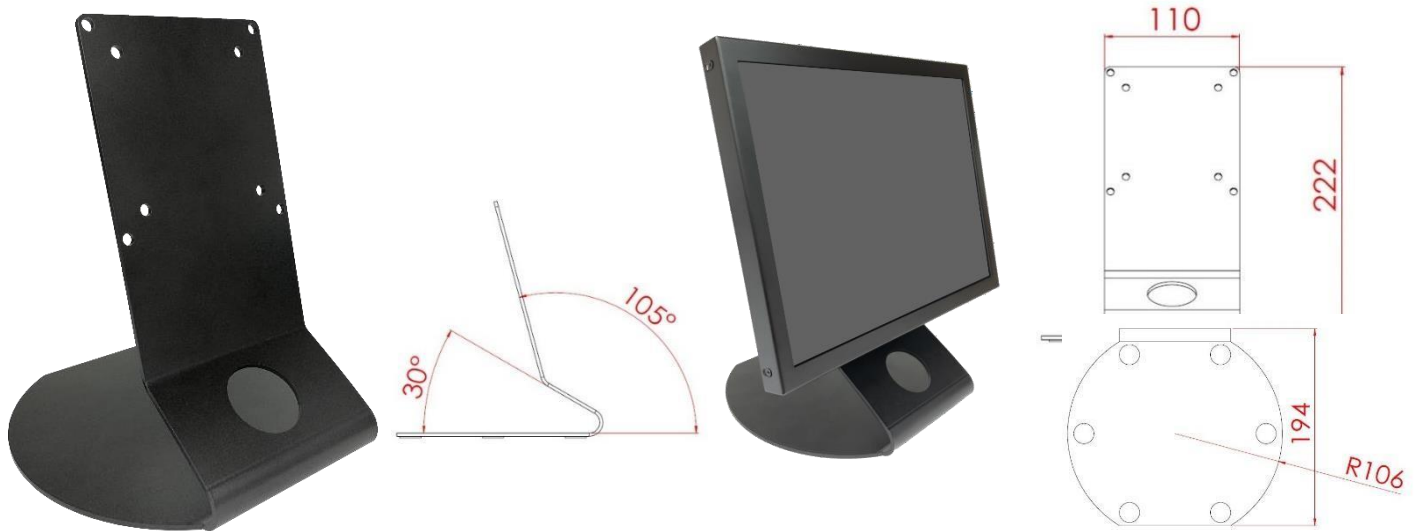
Step 2: Insert the screen from the front into the pre-cut opening.



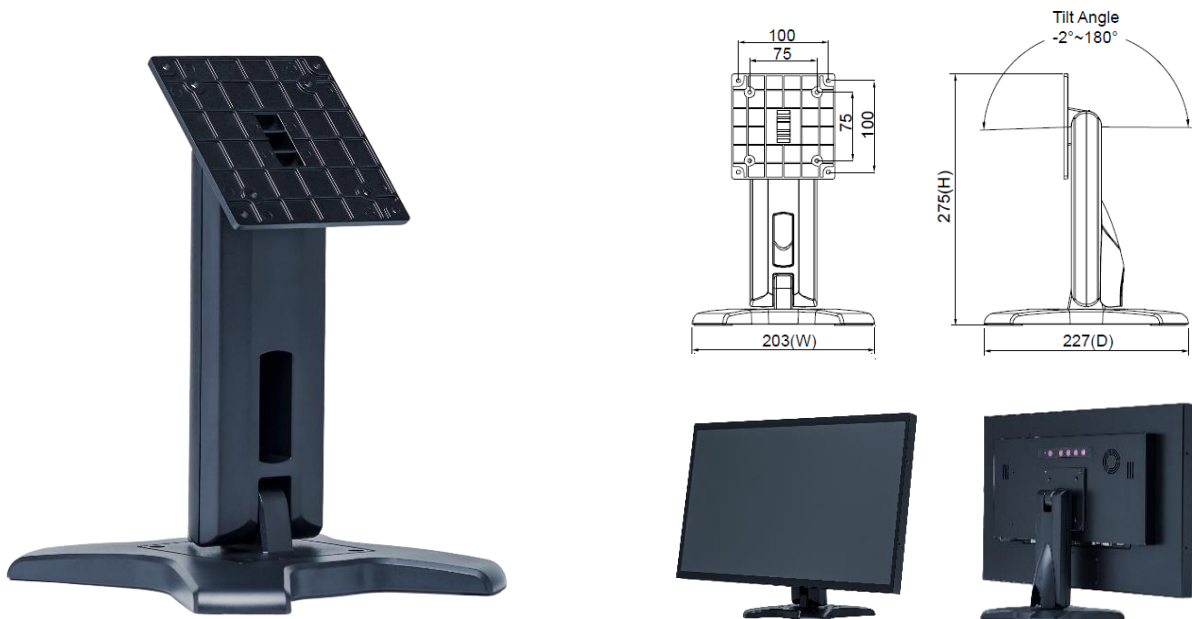
Step 3: Attach the clips from the back and secure with screws. (Up to 10 clips can be installed as needed or per positional limitations.)

### Desktop Stand (Option)

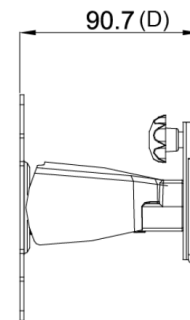
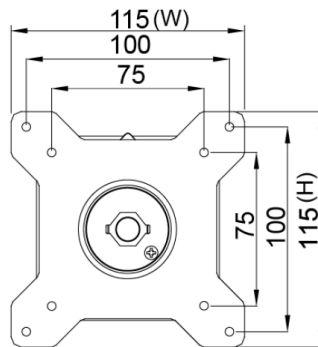
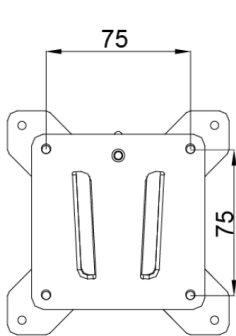
Item	L Stand	Part No.	DST-0B004/DST-1B004
Mounting Pattern	100x100 / 75x75 mm	Dimension (WxHxD)	194x194x222 mm
Material	SECC	Net Weight	1.4 KG
Tilt (Hinge)	105°	Support Max. Weight	15 KG



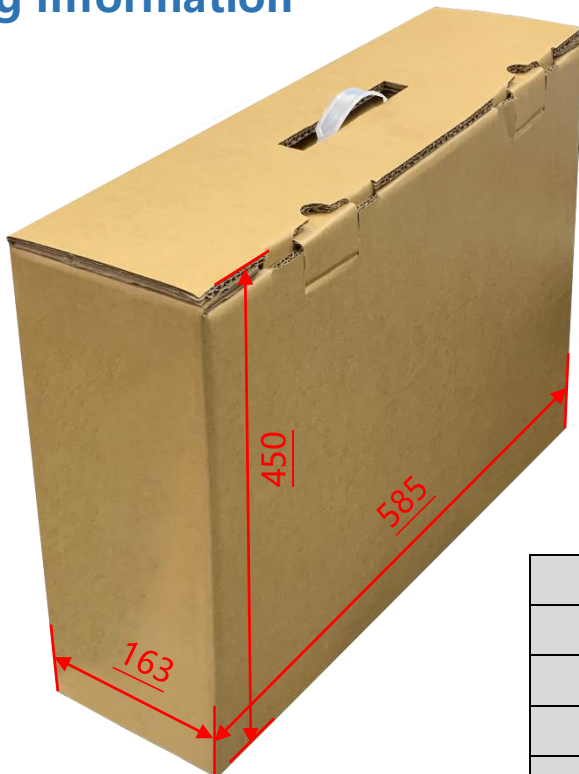
Item	B Stand	Part No.	DST-0B002/DST-1B002
Mounting Pattern	100x100 / 75x75 mm	Dimension (WxHxD)	203x275x227 mm
Material	Steel/Plastic/Aluminum	Net Weight	1.8 KG
Tilt (Hinge)	-2° ~ +180°	Support Max. Weight	15 KG



**Wall Mount Bracket (Option)**



**Packing Information**



Unit Carton Size	<b>585x163x450 mm</b>
Unit N. Weight	<b>≤3.5 KG</b>
Unit G. Weight	<b>≤5.3 KG</b>
Units per Pallet	<b>36 units</b>
Pallet Size	<b>120x100x147 CM</b>



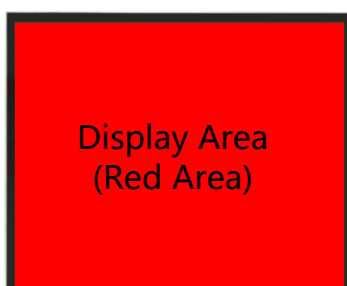
## Cosmetic Inspection Standard

Display Area Allowance			
Defect description	Defective Specifications	Allowance	Remarks
Dot Defect (including dark dot, particles, bubbles, pits, dust, foreign matter)	$D \leq 0.2\text{mm}$	Ignored	D=Diameter
	$0.2 < D \leq 0.7\text{mm}$	$N \leq 5$	N=Quantity
	$0.7 < D \leq 1\text{mm}$	$N \leq 3$	
	$D > 1\text{mm}$	$N \leq 0$	
Linear Defect (including scratches, fluff, particles)	$W \leq 0.15\text{mm}$	Ignored	W=Width
	$0.15 < W \leq 0.5\text{mm}, L \leq 15\text{mm}$	$N \leq 2$	L=Length
	$W > 0.5\text{mm}$ or $L > 15\text{mm}$	NG	

\* Visual inspection distance: 60cm, 90 degree (same for front/side/back)

Front Appearance Allowance (Including Coating)			
Defect description	Defective Specifications	Allowance	Remarks
Dot Defect (including particles, bubbles, pits...etc.)	$D \leq 0.7\text{mm}$	Ignored	D=Diameter
	$0.7 < D \leq 1.5\text{mm}$	$N \leq 3$	N=Quantity
	$D > 1.5\text{mm}$	$N \leq 0$	
Linear Defect (including scratches, fluff, particles)	$W \leq 0.2\text{mm}, L \leq 15\text{mm}$	Ignored	W=Width, L=Length
	$0.2 < W \leq 0.7\text{mm}, L \leq 15\text{mm}$	$N \leq 1$	
	$W > 0.7\text{mm}$ or $L > 15\text{mm}$	NG	

Side / Back Appearance Allowance (Including Coating)			
Defect description	Defective Specifications	Allowance	Remarks
Dot Defect (including particles, bubbles, pits...etc.)	$D \leq 1.5\text{mm}$	Ignored	D=Diameter
	$1.5 < D \leq 3\text{mm}$	$N \leq 8$	N=Quantity
	$D > 3\text{mm}$	$N \leq 2$	
Linear Defect (including scratches, fluff, particles)	$W \leq 0.8\text{mm}, L \leq 15\text{mm}$	Ignored	W=Width, L=Length
	$0.8 < W \leq 1.5\text{mm}, L \leq 15\text{mm}$	$N \leq 5$	
	$W > 1.5\text{mm}$ or $L > 15\text{mm}$	NG	



Display Area  
(Red Area)



Front Appearance (Red Area)



Back Appearance