

# Product Specifications

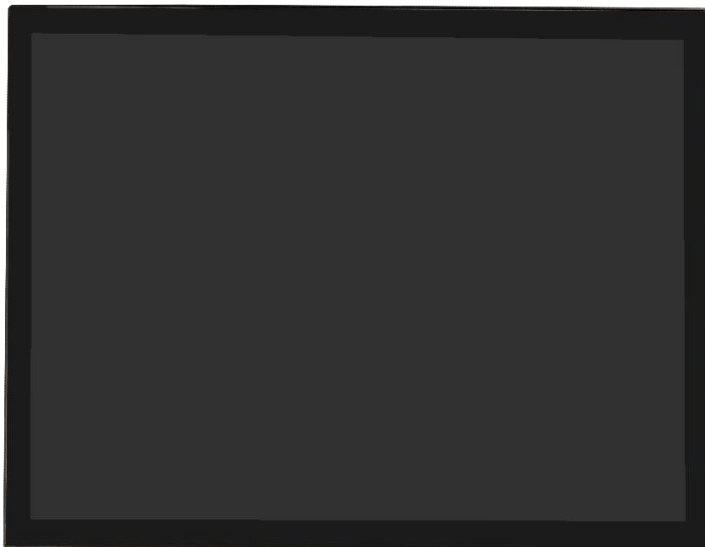
<b>Customer</b>	
<b>Model</b>	<b>NTSP121-1 V500</b>



Records of Revision			
Vision	Modifying	Old Description	New Description
v2011.1	Preliminary specifications		
v2011.2	Panel mount kits option added		
v2011.3	Packaging methods updated		
<b>v2011.4</b>	<b>New trademark released</b>		

## Features

- ★ 12.1 inch Industrial Grade Panel, 1024x768 Resolution
- ★ IAV Wide Viewing Angle Technology , 178°/178°
- ★ Wide Operating Temperature Range -30~70°C
- ★ Narrow Bezel, True Flat Projected Capacitive Touch Screen
- ★ 7H Hardness Tempered Cover Glass
- ★ 10 points Multi-touch, Supports NEXTECH Dedicated Stylus
- ★ Metal Cabinet with Diverse Combine Options
- ★ Made in Taiwan, 3 Years Warranty, Designed for Harsh Environments
- ★ Optional Video Input (VGA/DVI/HDMI/DP)
- ★ Optional Software Remote Control by RS232 or DDC/CI
- ★ Optional High Brightness 1500nits, for Outdoor Environment
- ★ Optional Auto Dimming Function (with Light Sensor)
- ★ Optional AG Coating/Antibacterial/Privacy Filter Surface Treatment



Desktop Stand



Wall Mounting



Open-frame Brackets



Panel Mount

## Display Specifications

Model Name	<b>NTSP121</b> <u>XXSXX-XXXXX</u> <b>0-500*</b>	Display Mode	<b>IAV Mode, Normally Black</b>
Screen Diagonal	<b>12.1 inch</b>	Response Time	<b>25 msec.</b>
Display Area	<b>245.76x184.32 mm</b>	Backlight Unit	<b>LED (white LED)</b>
Resolution	<b>1024x768 (XGA)</b>	Viewing Angle (L/R, U/D)	<b>178°/178° (CR<sub>≥</sub>10)</b>
Contrast Ratio	<b>1000:1</b>	Backlight Lifetime	<b>&gt;30,000 Hours</b>
Display Ratio	<b>4:3</b>	Operating Temp.	<b>-30~70°C</b>
Support Colors	<b>1.67M Colors</b>	Storage Temp.	<b>-40~80°C</b>
Pixel Pitch	<b>0.240x0.240 mm</b>		

\* X = A~Z, 0~9 (Depends on options)

## Display Options

Brightness			
	Brightness	Environment	Model Name
<b>Standard</b>	<b>500nits</b>	<b>General (Indoor)</b>	<b>NTSP121</b> <u>NXSXX-XXXXX</u> <b>0-500</b>
Option 1	1000nits	Outdoor Environment	NTSP121 <u>HX3XX-XXXXX</u> <b>0-500 *</b>
Option 2	1500nits	Sunlight Readable	NTSP121 <u>FXSXX-XXXXX</u> <b>0-500</b>

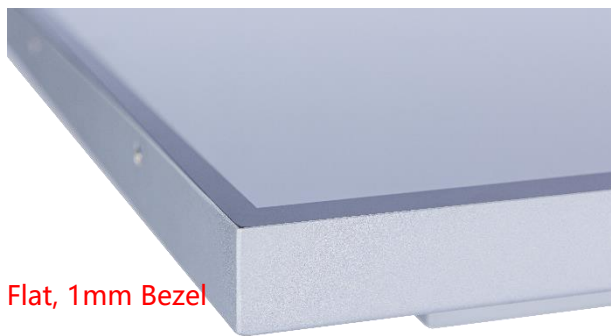
\* Check the data sheet NTSP121-3 V500

## Accessories

Item	Description	Quantity
HDMI Cable	<b>Male to Male, 1.8 Meter</b>	<b>1</b>
AC-DC Adapter	<b>12V with CE/FCC/CCC/UL/RoHS/PSE/JET Certification</b>	<b>1</b>
Power Cord	<b>*Country Specific</b>	<b>1</b>
USB Cable	<b>A type, Male to Male, 1.8 Meter *(only for touch monitor)</b>	<b>1</b>

## Touch Options

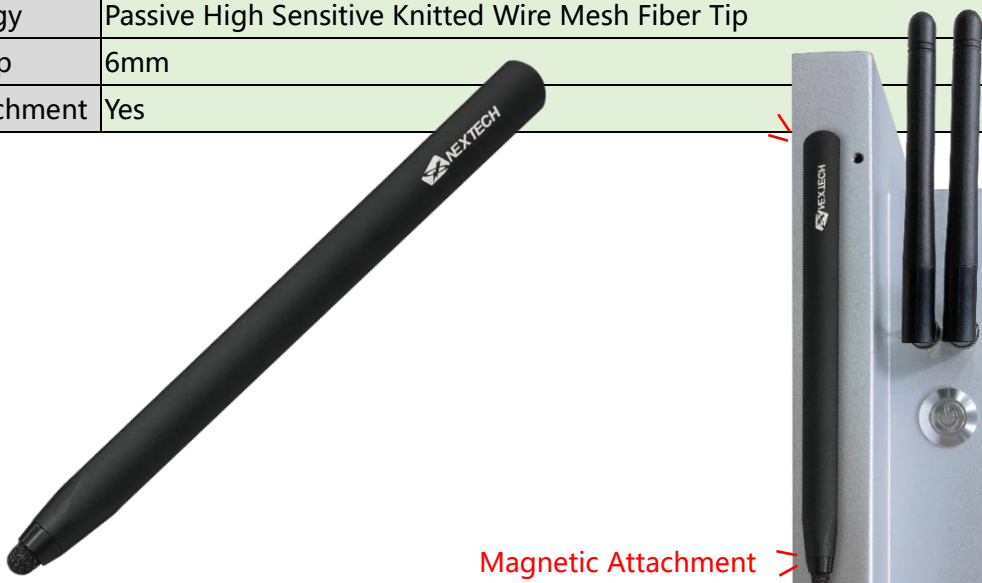
Projected Capacitive			
Model Name	NTSP121X <u>PSXX-XXXXX0-500</u>		
Touch Technology	Projected Capacitive	Transparency	≥87%
Allowed Touch Points	10 points	Accuracy	99.00%
Interface	USB/RS232 (Option)	Thickness of Cover Lens	1.8±0.2mm
IK Ratings	IK07	Hardness of Cover Lens	7H



\* True Flat, 1mm Bezel

Non-Touch	
Model Name	NTSP121X <u>0SXX-XXXX00-500</u>

Passive Stylus Pen (Option)	
Technology	Passive High Sensitive Knitted Wire Mesh Fiber Tip
Size of tip	6mm
Magnetic Attachment	Yes



Magnetic Attachment

## General Options

Video Input		
	Description	Model Name
<b>Standard</b>	<b>VGA+HDMI+DP</b>	<b>NTSP121XXS<u>32</u>-XXXXX0-500</b>
Option	VGA+DVI	NTSP121XXS <u>11</u> -XXXXX0-500



VGA+HDMI+DP



VGA+DVI

Power Input		
	Description	Model Name
<b>Standard</b>	<b>12V, Lockable DC Jack <math>\Phi</math>2.1mm</b>	<b>NTSP121XXS<u>32</u>-XXXXX0-500</b>
Option 1	12VDC, DC Jack $\Phi$ 2.1mm	NTSP121XXS <u>11</u> -XXXXX0-500



Lockable Power Jack

Surface Treatment		
	Description	Model Name
<b>Standard</b>	<b>(none)</b>	<b>NTSP121XXSXX-<u>00</u>XXX0-500</b>
Option 1	Anti-Glare Coating	NTSP121XXSXX- <u>GG</u> XXX0-500
Option 2	Antibacterial (AB Film)	NTSP121XXSXX- <u>AB</u> XXX0-500
Option 3	Anti-Spy (AS Film)	NTSP121XXSXX- <u>SF</u> XXX0-500

## General Options (Continued)

Color of Cabinet		
	Description	Model Name
<b>Standard</b>	<b>Black</b>	<b>NTSP121XXSXX-XXBXX0-500</b>
Option 1	White	NTSP121XXSXX-XXWXX0-500
Option 2	Silver	NTSP121XXSXX-XXSXX0-500
Options	Other Colors	NTSP121XXSXX-XXXXX0-500

\* X = A~Z, 0~9 (Depends on Color)

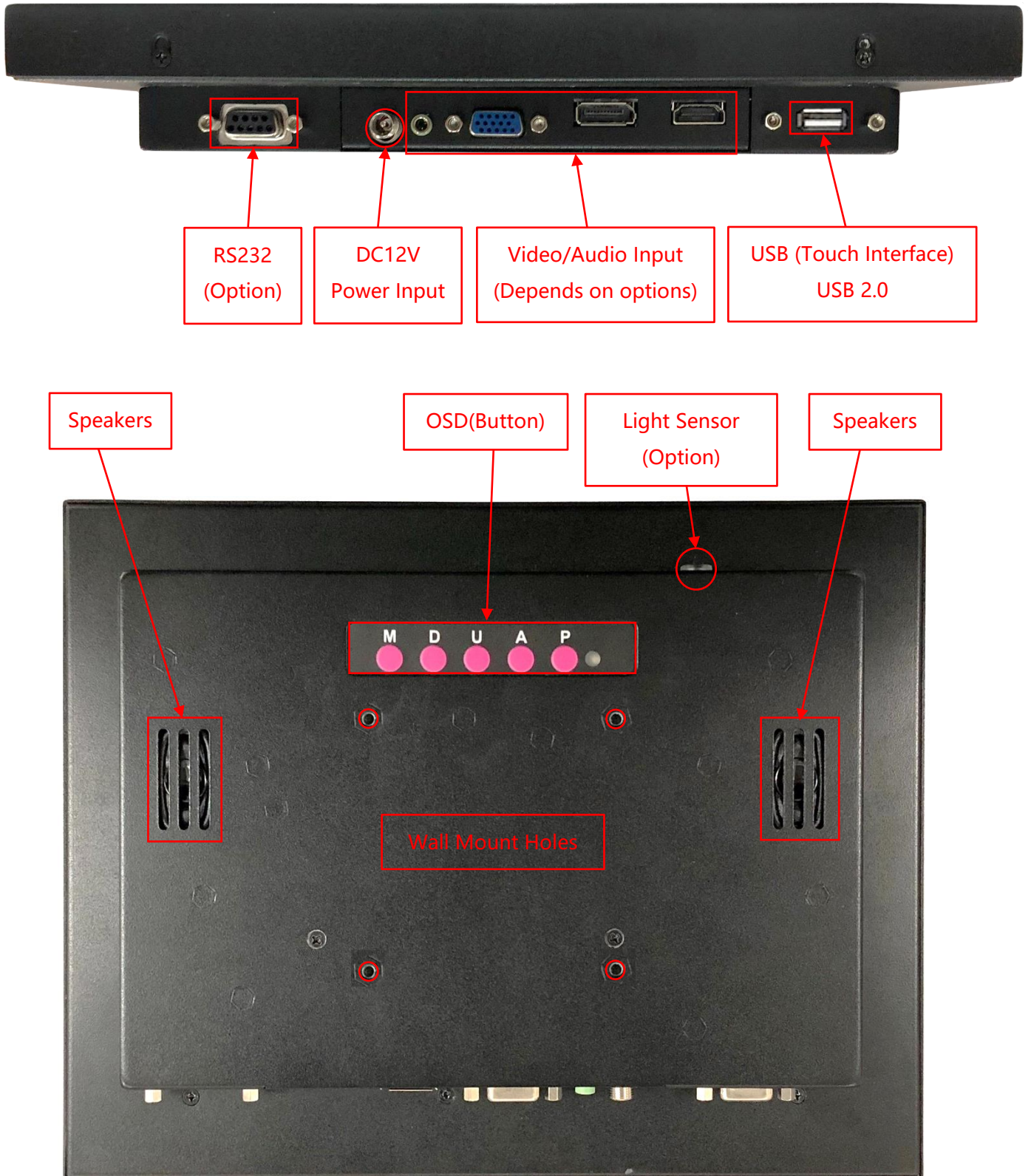
Material of Cabinet		
	Description	Model Name
<b>Standard</b>	<b>SECC</b>	<b>NTSP121XXSXX-XXXSX0-500</b>
Option 1	Stainless Steel	NTSP121XXSXX-XXXLX0-500
Option 2	Aluminum	NTSP121XXSXX-XXXAX0-500

Touch Interface		
	Description	Model Name
<b>Standard</b>	<b>USB</b>	<b>NTSP121XPSXX-XXXXU0-500</b>
Option 1	RS232	NTSP121XPSXX-XXXXR0-500
Option 2	Non-Touch	NTSP121X0SXX-XXXXO0-500

## Supported OS

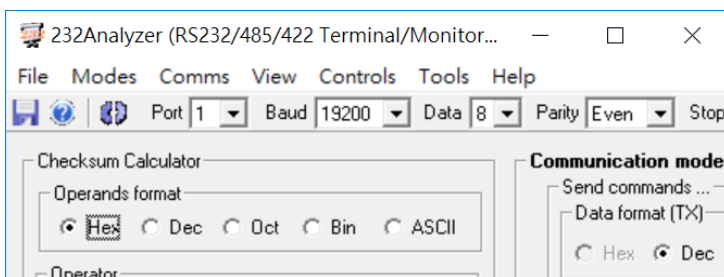
Windows	<b>Win7, Win8, Win10, Win11 ↑</b>
Linux	<b>Kernel 2.6.24 ↑</b>
Android	<b>3.0 ↑</b>
Mac	<b>10.5.x ↑ (Intel CPU)</b>

## Input /Output System



## Other Options

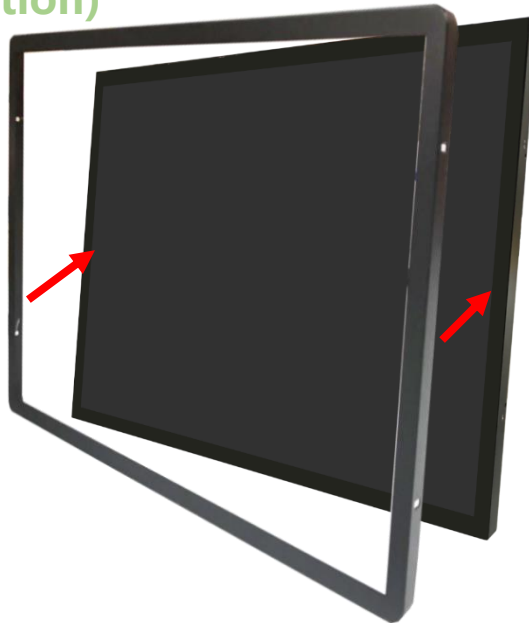
OSD Control		
	Item	Description
<b>Standard</b>	<b>Button</b>	<b>Rear Physical Button</b>
Option 1	Software Remote Control	Software Remote Control by RS232/Serial Port
Option 2	Auto Dimming	Auto Brightness Adjusting by Light Sensor



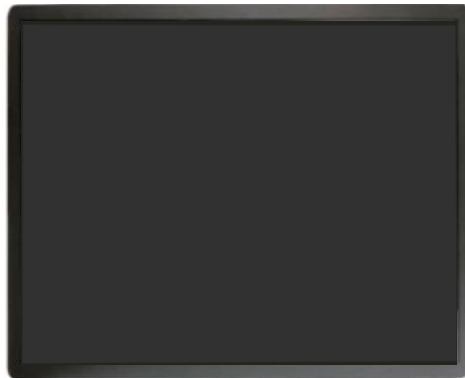
\* Software Remote Control



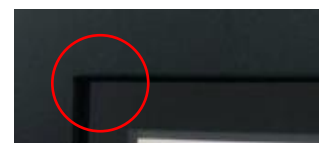
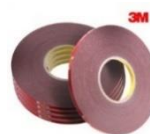
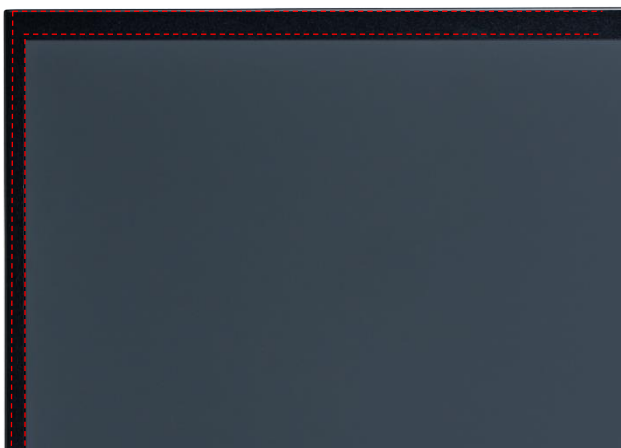
## Front Cover (Option)



The standard **NTSP121** is true flat surface, with only 1mm metal bezel.  
To protect the corners of the touch screen, the **Front Cover** can be added.

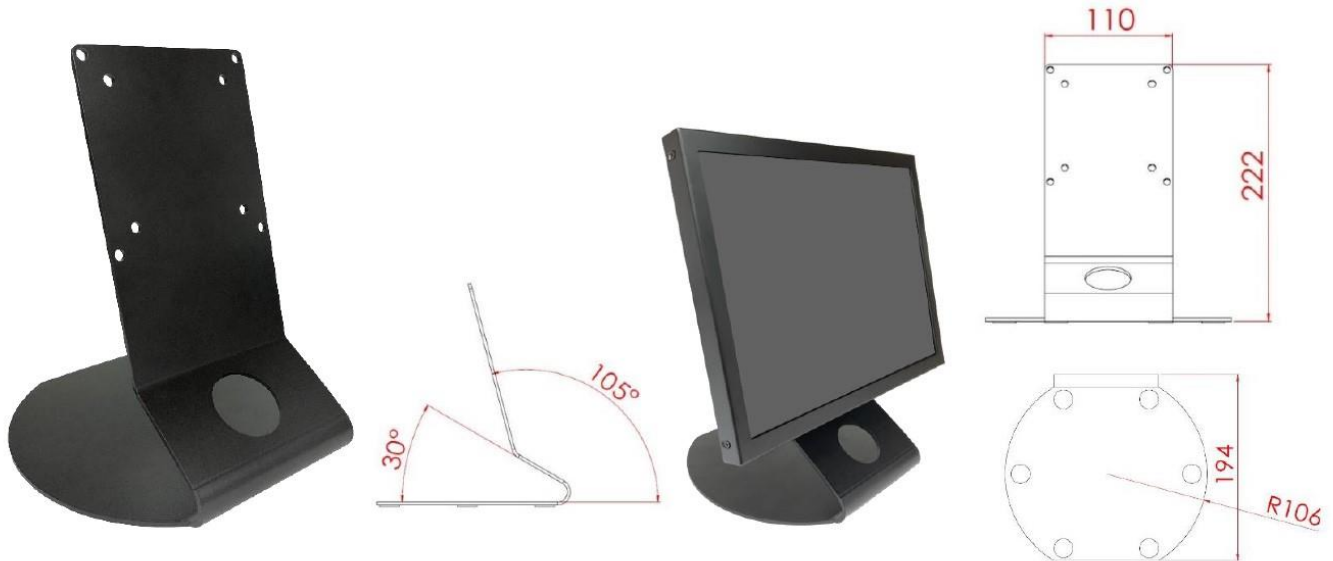


The watertight gasket can be added between the **Front Cover** and **NTSP121**.  
It complies **IP65** on front.



**Desktop Stand (Option)**

Item	L Stand	Part No.	DST-0B004/DST-1B004
Mounting Pattern	100x100 / 75x75 mm	Dimension (WxHxD)	194x194x222 mm
Material	SECC	Net Weight	1.4 KG
Tilt (Hinge)	105°	Support Max. Weight	15 KG

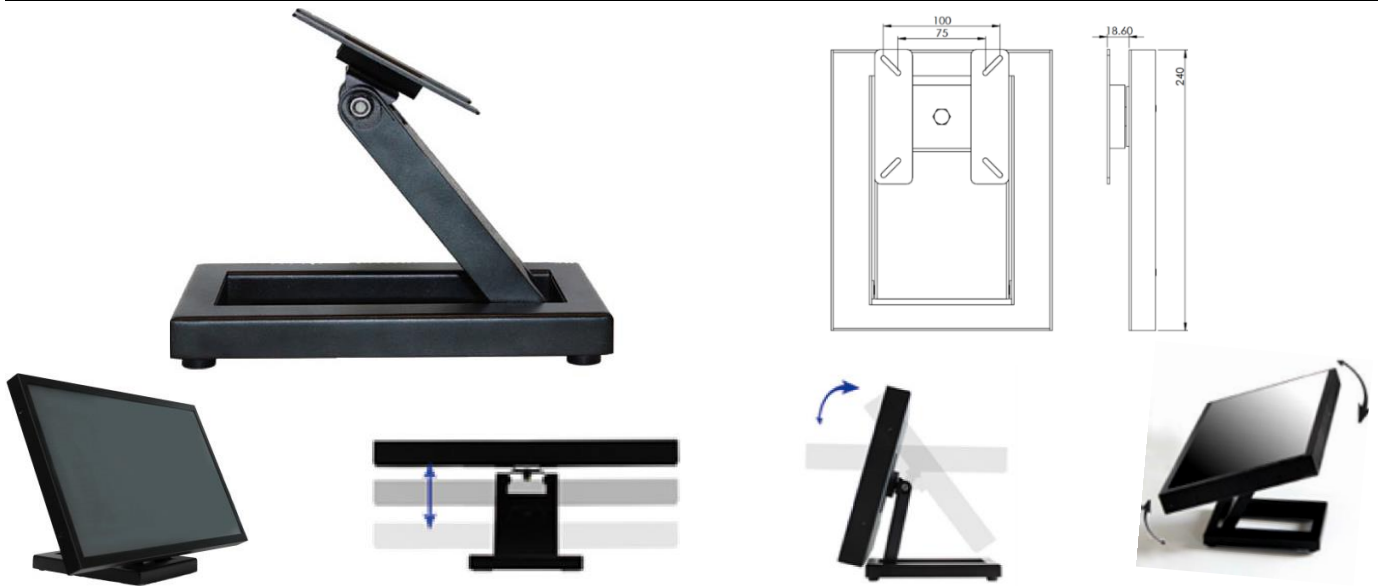


Item	B Stand	Part No.	DST-0B002/DST-1B002
Mounting Pattern	100x100 / 75x75 mm	Dimension (WxHxD)	203x275x227 mm
Material	Steel/Plastic/Aluminum	Net Weight	1.8 KG
Tilt (Hinge)	-2° ~ +180°	Support Max. Weight	15 KG

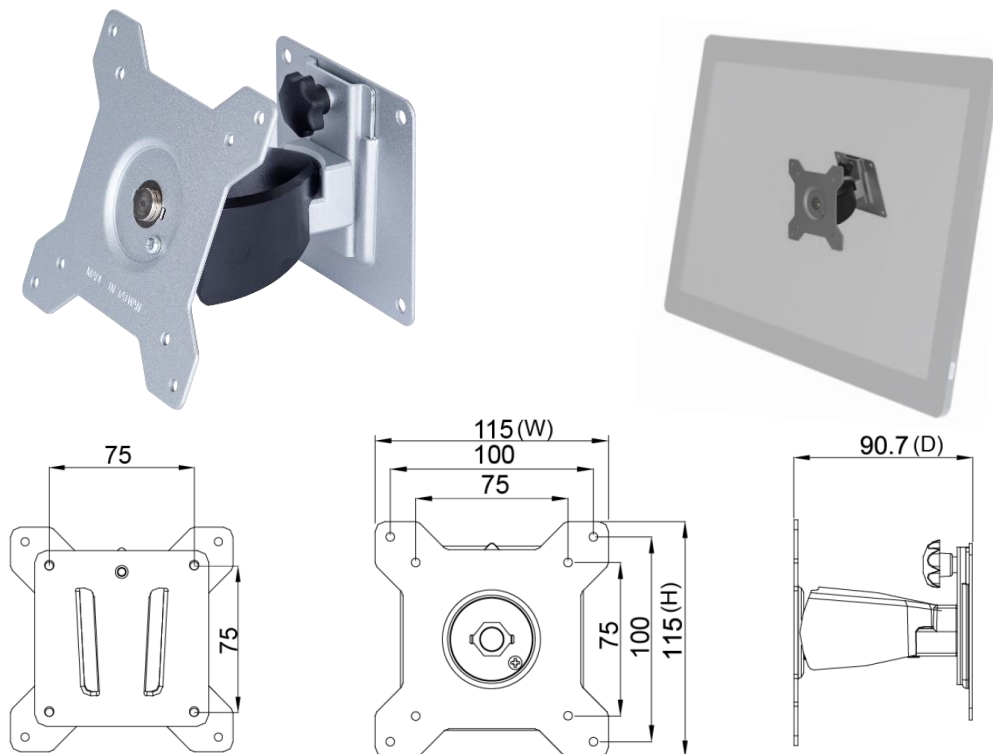


### Desktop Stand (Option)

Item	Z Stand	Part No.	DST-0BZ01/DST-1BZ01
Mounting Pattern	100x100 / 75x75 mm	Dimension (WxHxD)	190x240x41.6 mm
Material	SECC	Net Weight	2.6 KG
Tilt (Hinge)	±360°	Support Max. Weight	15 KG



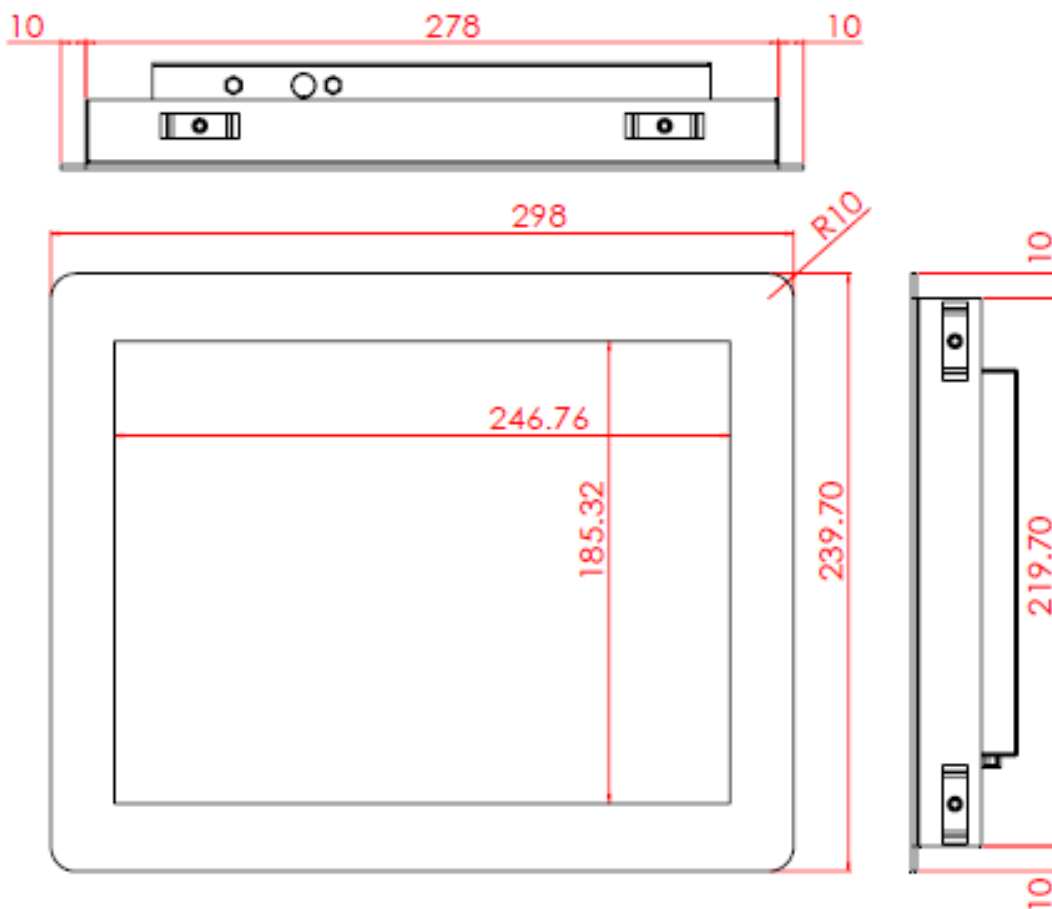
### Wall Mount Bracket (Option)



### Panel Mount Kits (Option)

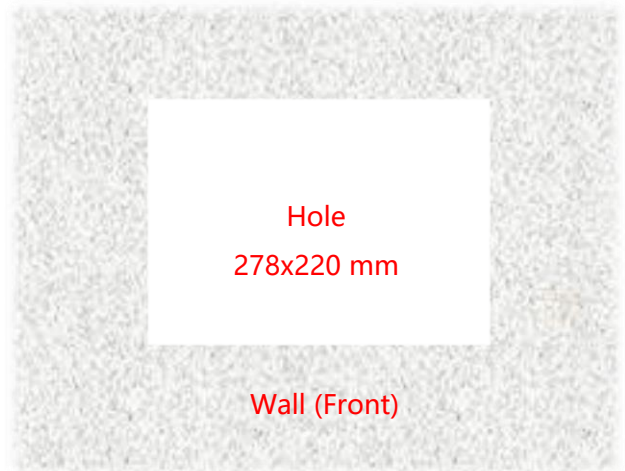


### Dimension for Installing with Panel Mount Kits





Step 1: Assemble the front module with the screen body. (This step is pre-assembled at the factory.)

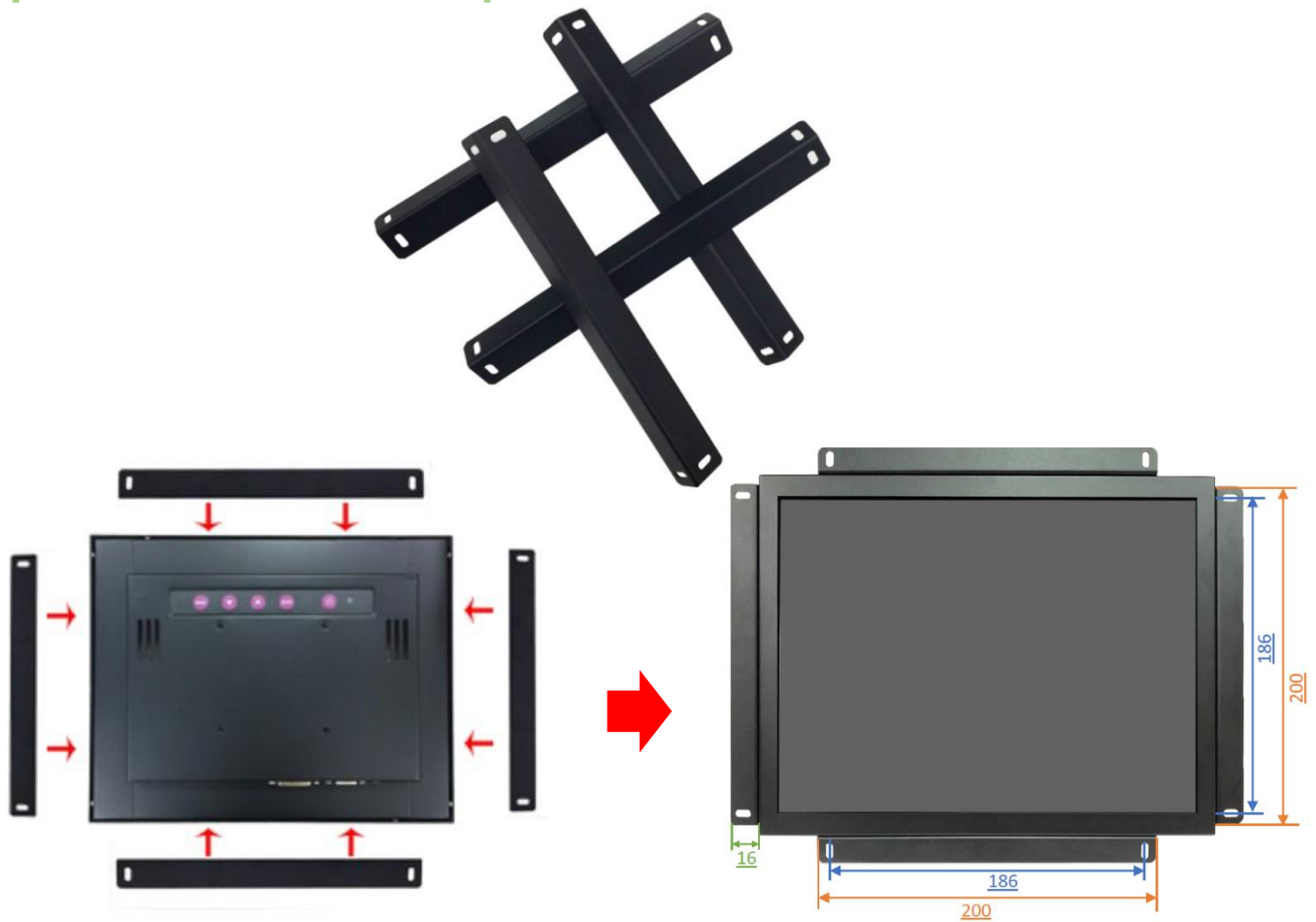


Step 2: Insert the screen from the front into the pre-cut opening.

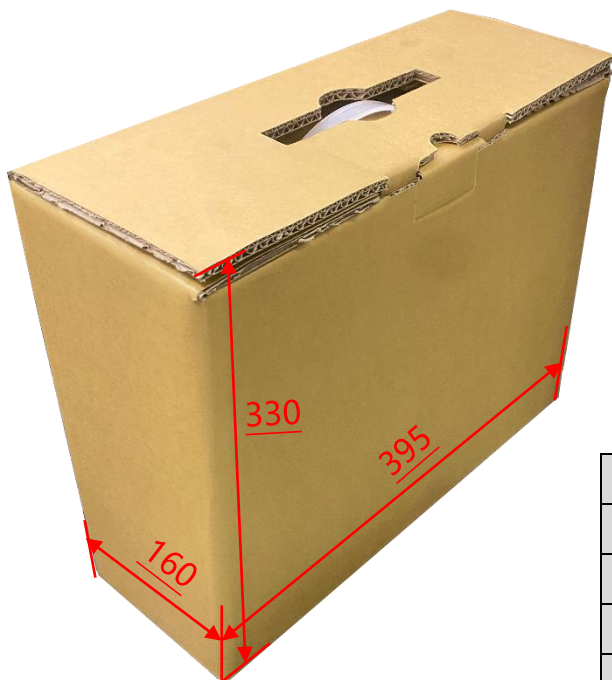


Step 3: Attach the clips from the back and secure with screws. (Up to 8 clips can be installed as needed or per positional limitations.)

**Open-frame Brackets (Option)**



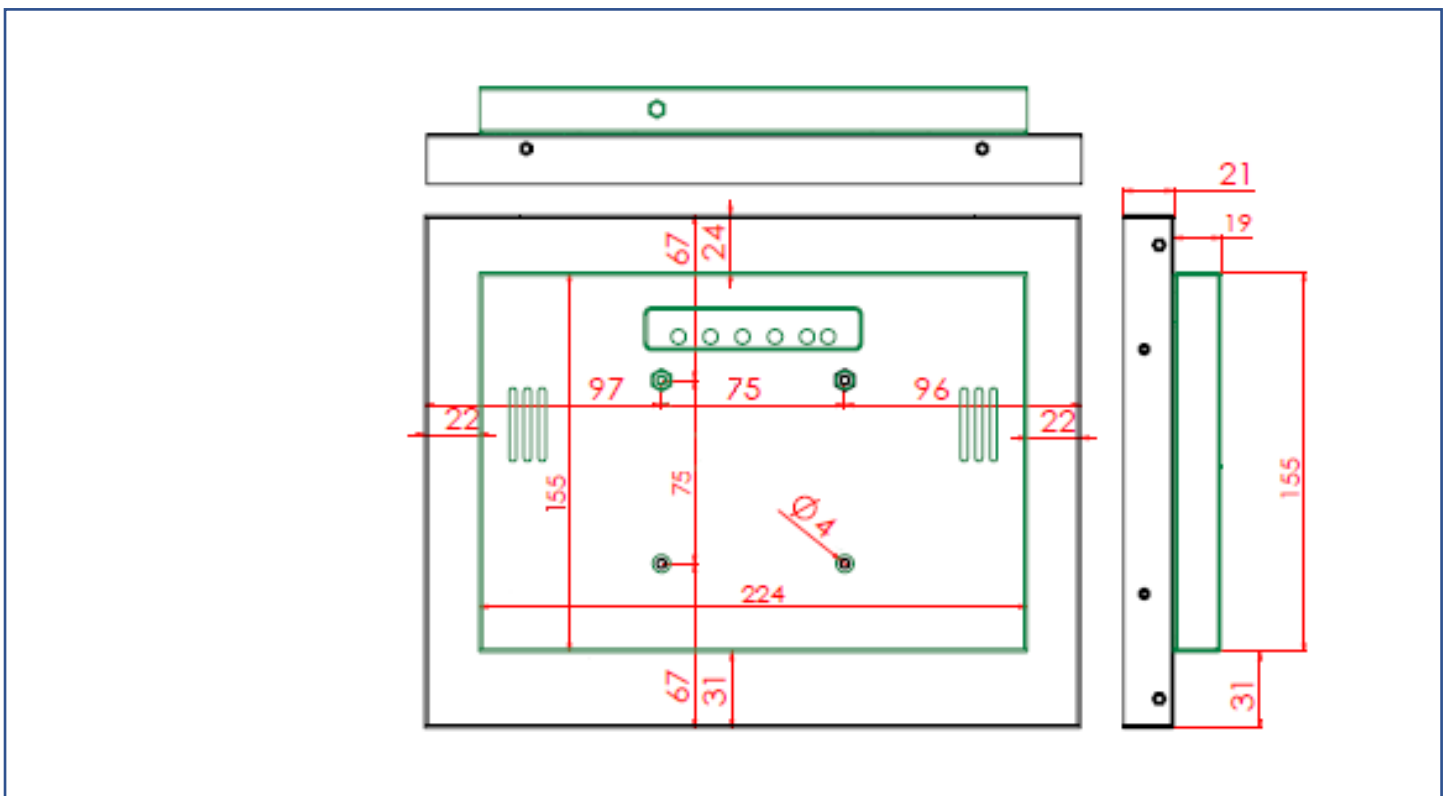
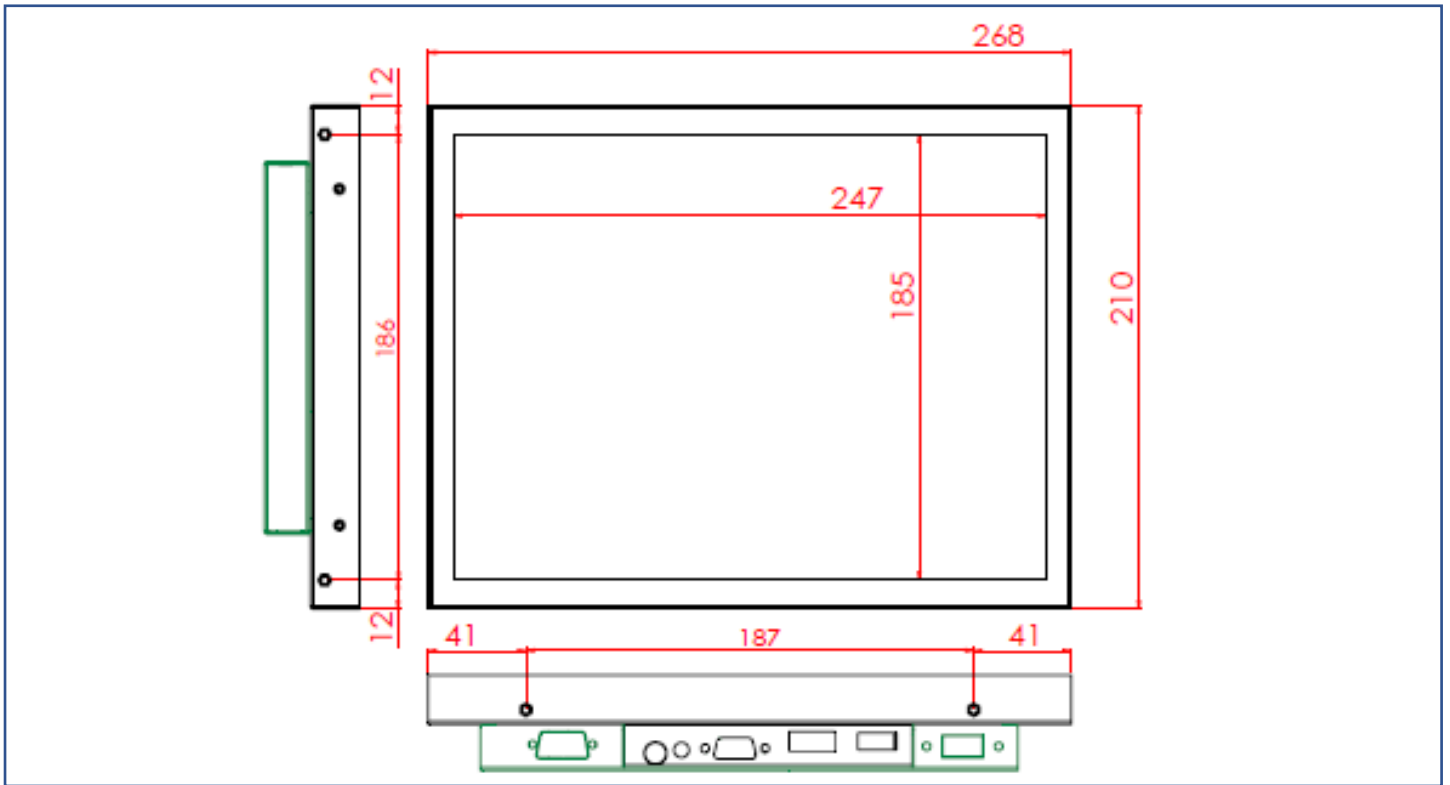
**Packing Information**



Unit Carton Size	<b>395x160x330 mm</b>
Unit N. Weight	<b>≅1.9 KG</b>
Unit G. Weight	<b>≅3.0 KG</b>
Units per Pallet	<b>72 units</b>
Pallet Size	<b>120x100x142 CM</b>

## Physical Specifications

Dimension (Max)	268x210x40(±2)mm	Net Weight	≤1.9 KG
VESA Mounting	75x75 mm	Gross Weight	≤3.0 KG



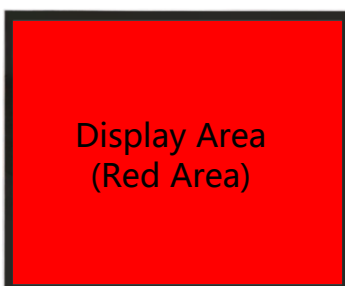
## Cosmetic Inspection Standard

Display Area Allowance			
Defect description	Defective Specifications	Allowance	Remarks
Dot Defect (including dark dot, particles, bubbles, pits, dust, foreign matter)	$D \leq 0.2\text{mm}$	Ignored	D=Diameter
	$0.2 < D \leq 0.7\text{mm}$	$N \leq 5$	N=Quantity
	$0.7 < D \leq 1\text{mm}$	$N \leq 3$	
	$D > 1\text{mm}$	$N \leq 0$	
Linear Defect (including scratches, fluff, particles)	$W \leq 0.15\text{mm}$	Ignored	W=Width
	$0.15 < W \leq 0.5\text{mm}, L \leq 15\text{mm}$	$N \leq 2$	L=Length
	$W > 0.5\text{mm}$ or $L > 15\text{mm}$	NG	

\* Visual inspection distance: 60cm, 90 degree (same for front/side/back)

Front Appearance Allowance (Including Coating)			
Defect description	Defective Specifications	Allowance	Remarks
Dot Defect (including particles, bubbles, pits...etc.)	$D \leq 0.7\text{mm}$	Ignored	D=Diameter
	$0.7 < D \leq 1.5\text{mm}$	$N \leq 3$	N=Quantity
	$D > 1.5\text{mm}$	$N \leq 0$	
Linear Defect (including scratches, fluff, particles)	$W \leq 0.2\text{mm}, L \leq 15\text{mm}$	Ignored	W=Width, L=Length
	$0.2 < W \leq 0.7\text{mm}, L \leq 15\text{mm}$	$N \leq 1$	
	$W > 0.7\text{mm}$ or $L > 15\text{mm}$	NG	

Side / Back Appearance Allowance (Including Coating)			
Defect description	Defective Specifications	Allowance	Remarks
Dot Defect (including particles, bubbles, pits...etc.)	$D \leq 1.5\text{mm}$	Ignored	D=Diameter
	$1.5 < D \leq 3\text{mm}$	$N \leq 8$	N=Quantity
	$D > 3\text{mm}$	$N \leq 2$	
Linear Defect (including scratches, fluff, particles)	$W \leq 0.8\text{mm}, L \leq 15\text{mm}$	Ignored	W=Width, L=Length
	$0.8 < W \leq 1.5\text{mm}, L \leq 15\text{mm}$	$N \leq 5$	
	$W > 1.5\text{mm}$ or $L > 15\text{mm}$	NG	



Display Area  
(Red Area)



Front Appearance (Red Area)



Back Appearance