



Product Specifications

Customer	
Model	NTSP101 V500



Records of Revision			
Vision	Modifying	Old Description	New Description
v2108.2	Preliminary Specification		

Features

- ★ 10.1 inch Wide Screen Industrial Grade Panel, 1280x800 Resolution
- ★ AHVA Wide Viewing Angle Technology , 178°/178°
- ★ Wide Operating Temperature Range -20~60°C
- ★ Narrow Bezel, True Flat Projected Capacitive Touch Screen
- ★ 7H Hardness Tempered Cover Glass
- ★ 10 points Multi-touch
- ★ Metal Cabinet with Diverse Combine Options
- ★ Made in Taiwan, 3 Years Warranty, Designed for Harsh Environments
- ★ Optional Auto Dimming Function (with Light Sensor)
- ★ Optional AG Coating/Antibacterial/Privacy Filter Surface Treatment



PSE



BSMI



RoHS



CE



ISO9001



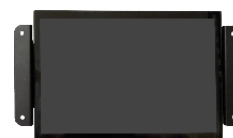
FCC



Desktop Stand



Wall Mounting



Open-frame Brackets

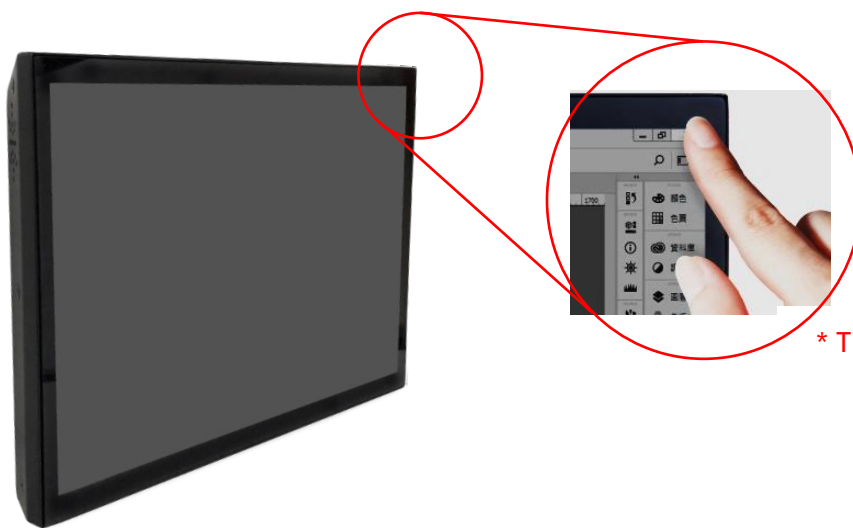
Display Specifications

Model Name	NTSP101N <u>X</u> S32- <u>XXXXX</u> 0-500*	Display Mode	AHVA Type, Normally Black
Screen Diagonal	10.1 inch	Backlight Unit	LED (white LED)
Display Area	216.96x135.6 mm	Response Time	29 msec. (Typ.)
Resolution	1280x800	Viewing Angle (L/R, U/D)	178°/178°
Contrast Ratio	800:1	Backlight Lifetime	>30,000 Hours
Display Ratio	16:10	Operating Temp.	-20~60°C
Support Colors	16.7M Colors	Storage Temp.	-20~60°C
Pixel Pitch	0.1695x0.1695 mm	Surface Treatment	Hard Coating
Brightness	400nits		

* X = A~Z, 0~9 (Depends on options)

Touch Options

Projected Capacitive			
Model Name	NTSP101N <u>P</u> S32- <u>XXXXU</u> 0-500		
Touch Technology	Projected Capacitive	Transparency	≥87%
Allowed Touch Points	10 points	Accuracy	99.00%
Interface	USB	Thickness of Cover Lens	1.1±0.2mm
IK Ratings	IK07	Hardness of Cover Lens	7H



* True Flat, 1mm Bezel

Non-Touch	
Model Name	NTSP101N <u>0</u> S32- <u>XXXX</u> 00-500



General Options

Surface Film		
	Description	Model Name
Standard	(none)	NTSP101NXS32-00XXX0-500
Option 1	Anti-Glare Coating	NTSP101NXS32-ABXXX0-500
Option 2	Antibacterial (AB Film)	NTSP101NXS32-ABXXX0-500
Option 3	Anti-Spy (AS Film)	NTSP101NXS32-SFXXX0-500

Color of Cabinet		
	Description	Model Name
Standard	Black	NTSP101NXS32-XXBXX0-500
Option 1	White	NTSP101NXS32-XXWXX0-500
Option 2	Silver	NTSP101NXS32-XXSXX0-500
Options	Other Colors	NTSP101NXS32-XXXXX0-500

* X = A~Z, 0~9 (Depends on Color)

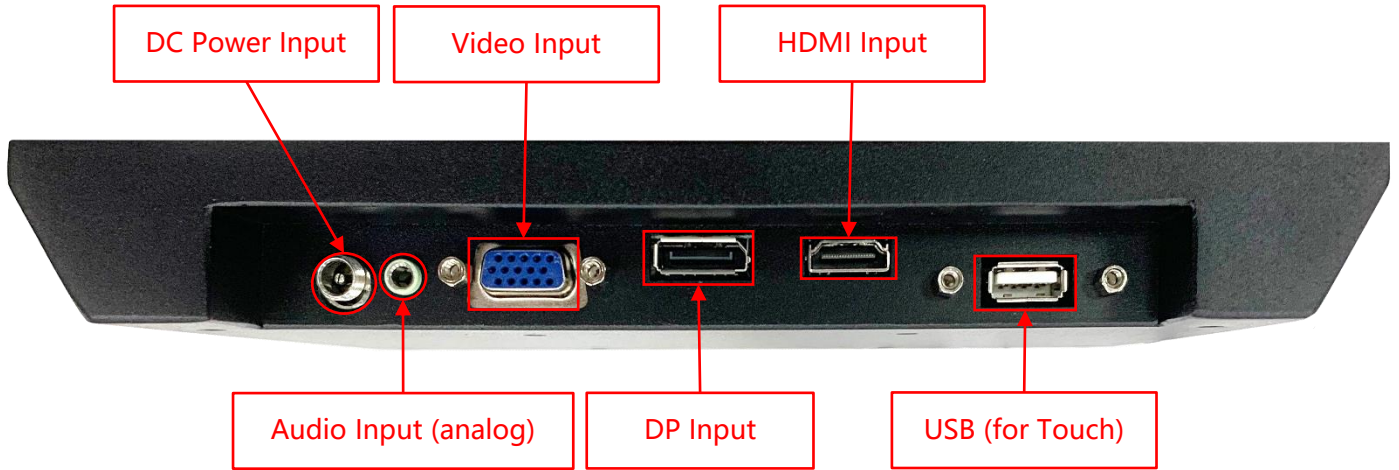
Material of Cabinet		
	Description	Model Name
Standard	SECC	NTSP101NXS32-XXXSX0-500
Option 1	Stainless Steel	NTSP101NXS32-XXXLX0-500
Option 2	Aluminum	NTSP101NXS32-XXXAX0-500

Touch Interface		
	Description	Model Name
Standard	USB	NTSP101NPS32-XXXXU0-500
Option	Non-Touch	NTSP101N0S32-XXXX00-500

Accessories

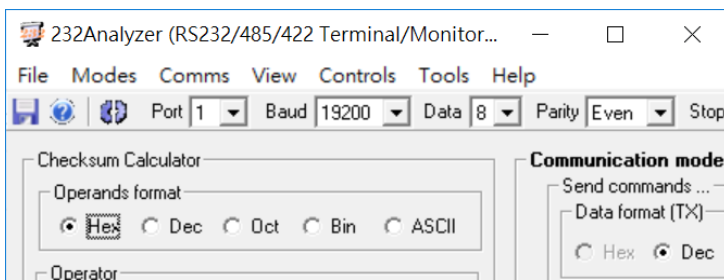
Item	Description	Quantity
HDMI Cable	Male to Male, 1.8 Meter	1
AC-DC Adapter	12V with CE/FCC/CCC/UL/RoHS/PSE/JET Certification	1
Power Cord	*Country Specific	1
USB Cable	A type, Male to Male, 1.8 Meter *(only for touch monitor)	1

Input /Output System



Other Options

OSD Control		
	Item	Description
Standard	Button	Rear Physical Button
Option 1	Software Remote Control	Software Remote Control by RS232/Serial Port
Option 2	Auto Dimming	Auto Brightness Adjusting by Light Sensor



* Software Remote Control



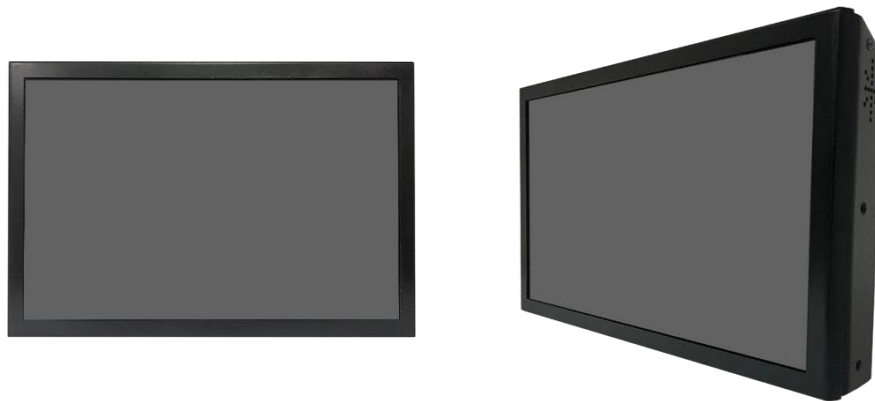
Supported OS

Windows	Win7, Win8, Win10, Win11 ↑
Linux	Kernel 2.6.24 ↑
Android	3.0 ↑
Mac	10.5.x ↑ (Intel CPU)

Front Cover (Option)



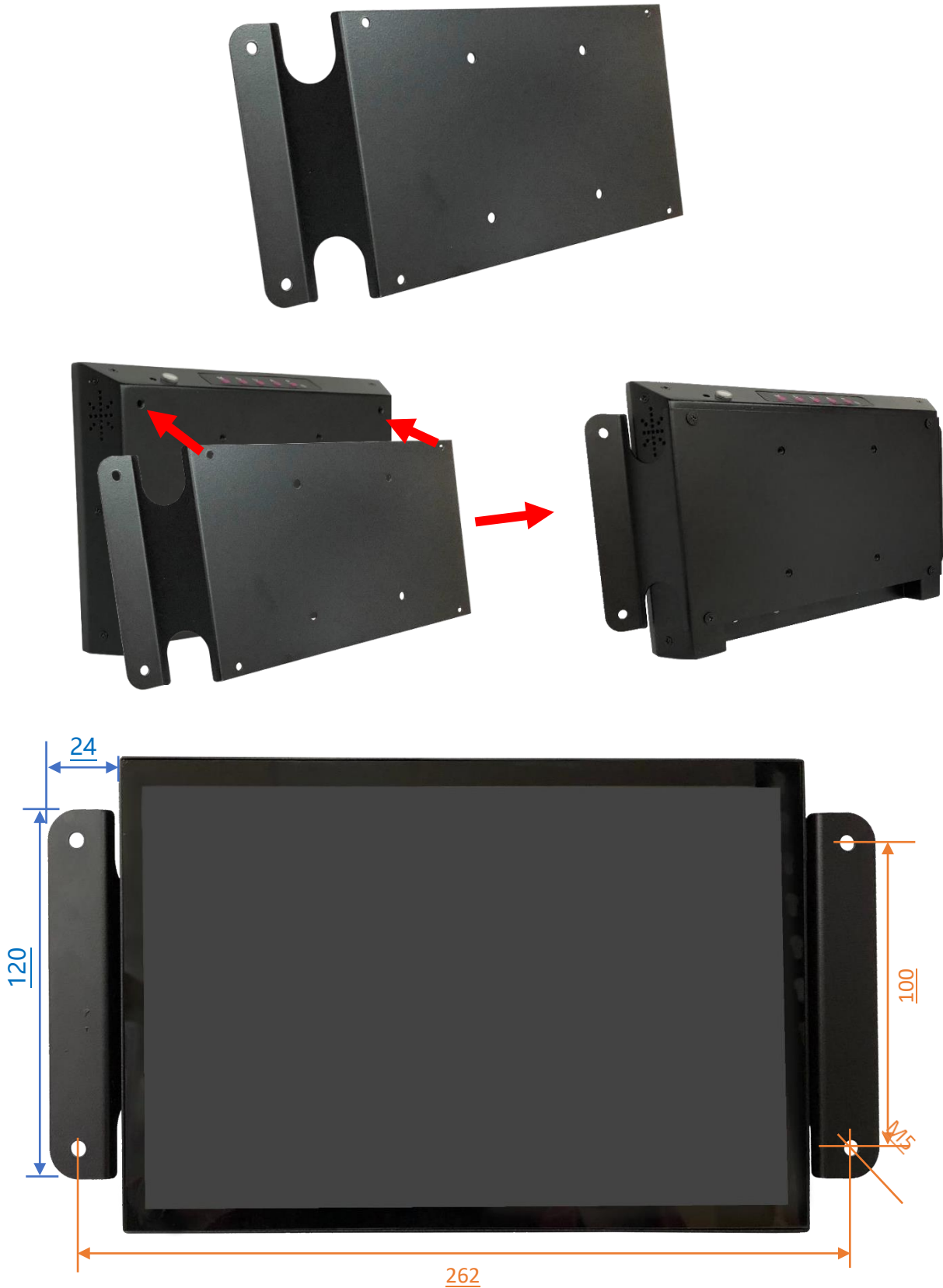
The standard **NTSP101** is true flat surface, with only 1mm metal bezel
To protect the corners of the touch screen, the **Front Cover** can be added.



The watertight gasket can be added between the **Front Cover** and **NTSP101**.
It complies **IP65** on front.

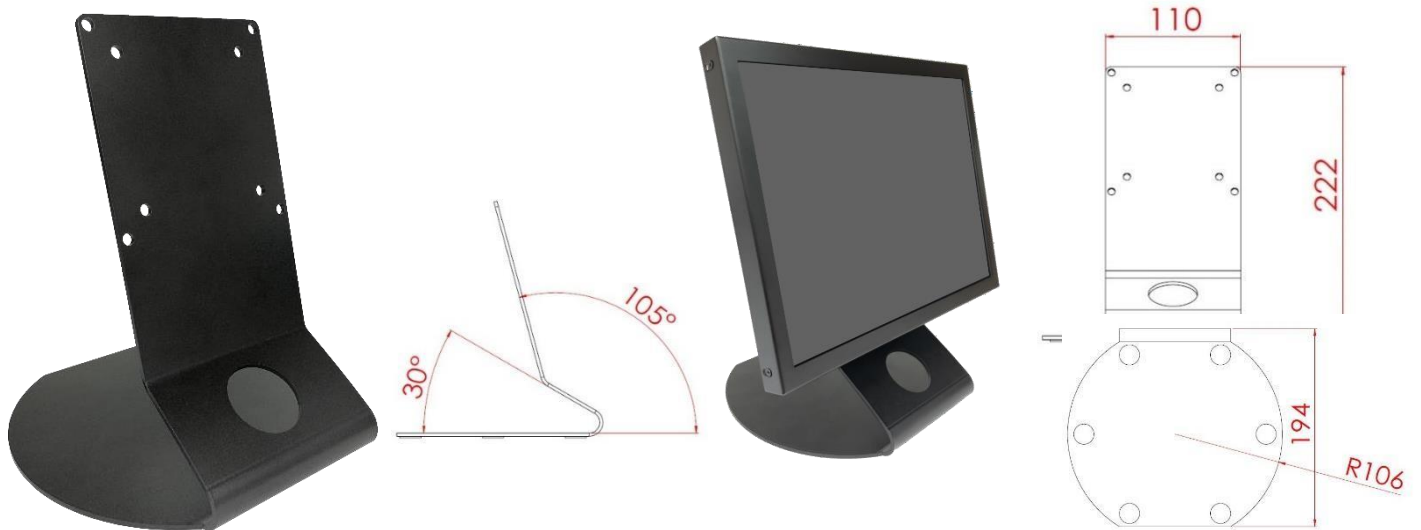


Open-frame Brackets (Option)



Desktop Stand (Option)

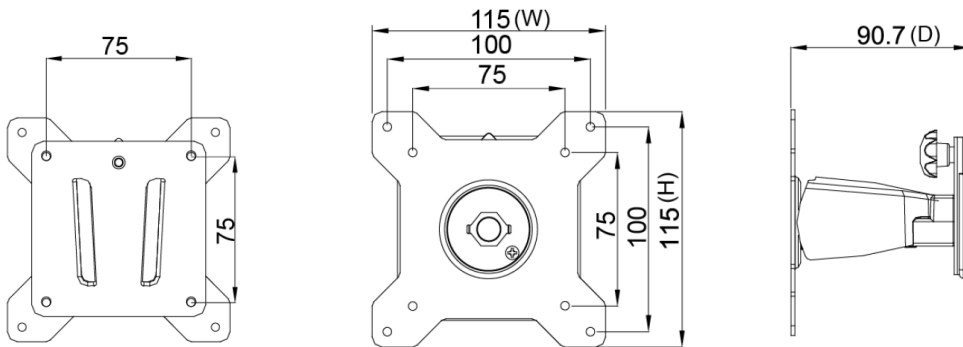
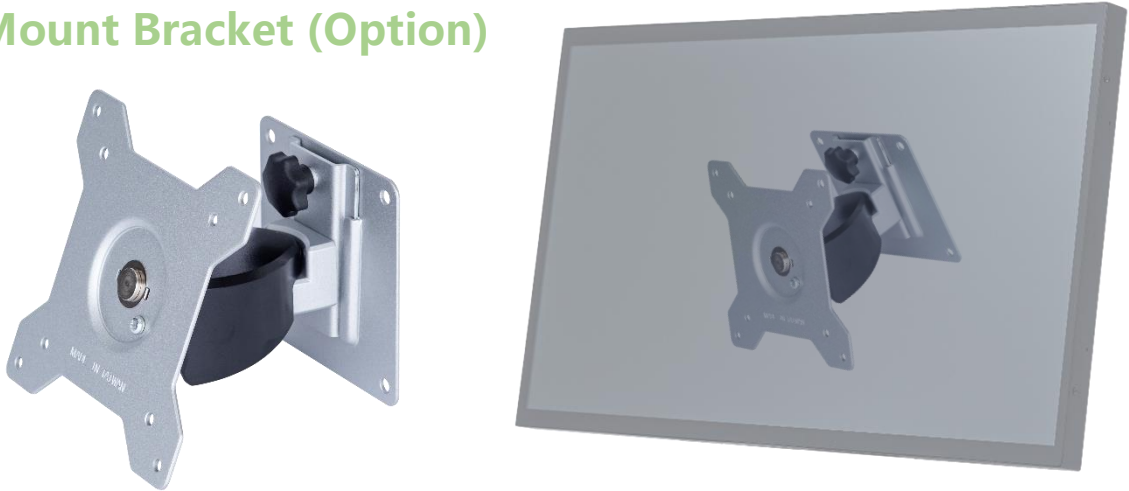
Item	L Stand	Part No.	DST-0B004/DST-1B004
Mounting Pattern	100x100 / 75x75 mm	Dimension (WxHxD)	194x194x222 mm
Material	SECC	Net Weight	1.4 KG
Tilt (Hinge)	105°	Support Max. Weight	15 KG



Item	B Stand	Part No.	DST-0B002/DST-1B002
Mounting Pattern	100x100 / 75x75 mm	Dimension (WxHxD)	203x275x227 mm
Material	Steel/Plastic/Aluminum	Net Weight	1.8 KG
Tilt (Hinge)	-2° ~ +180°	Support Max. Weight	15 KG



Wall Mount Bracket (Option)



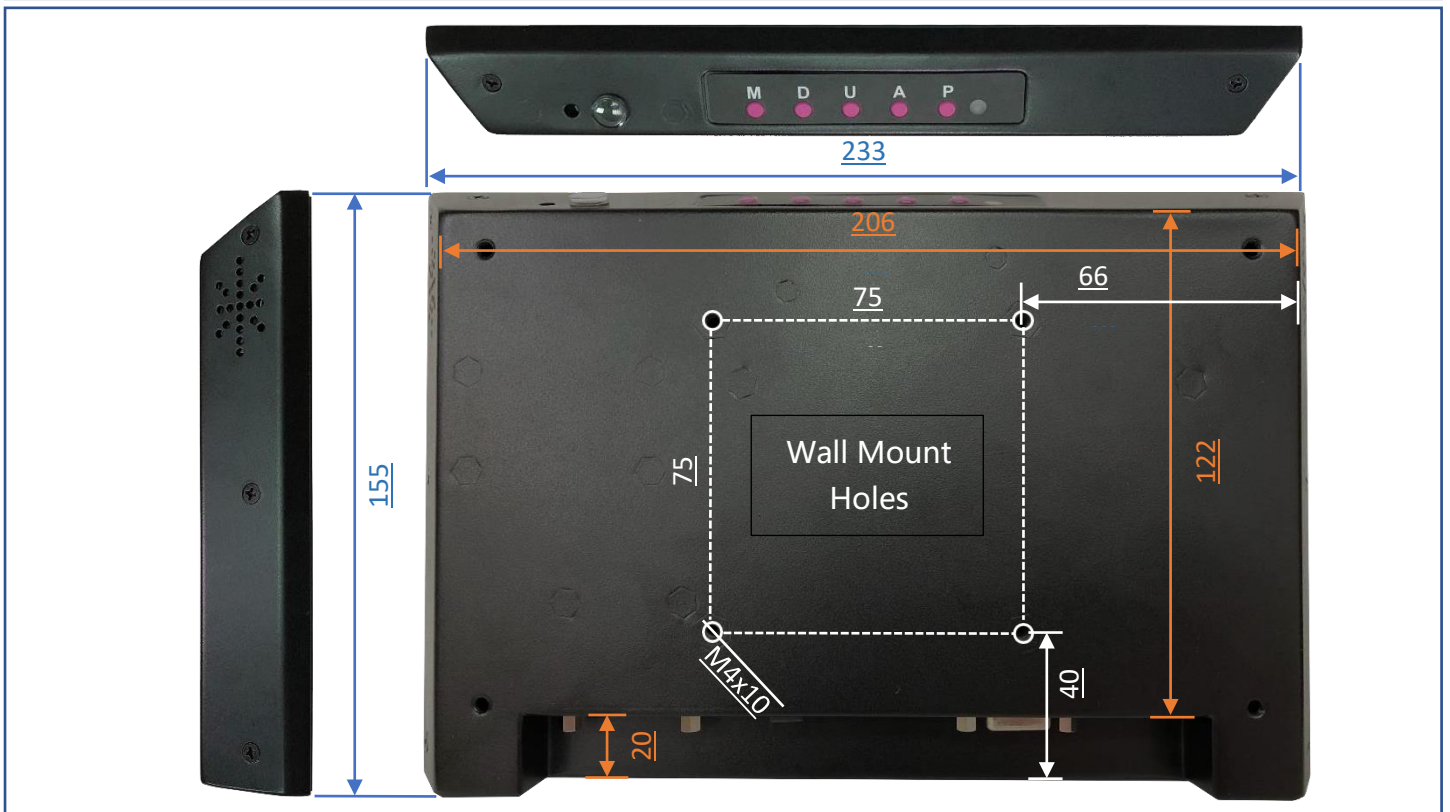
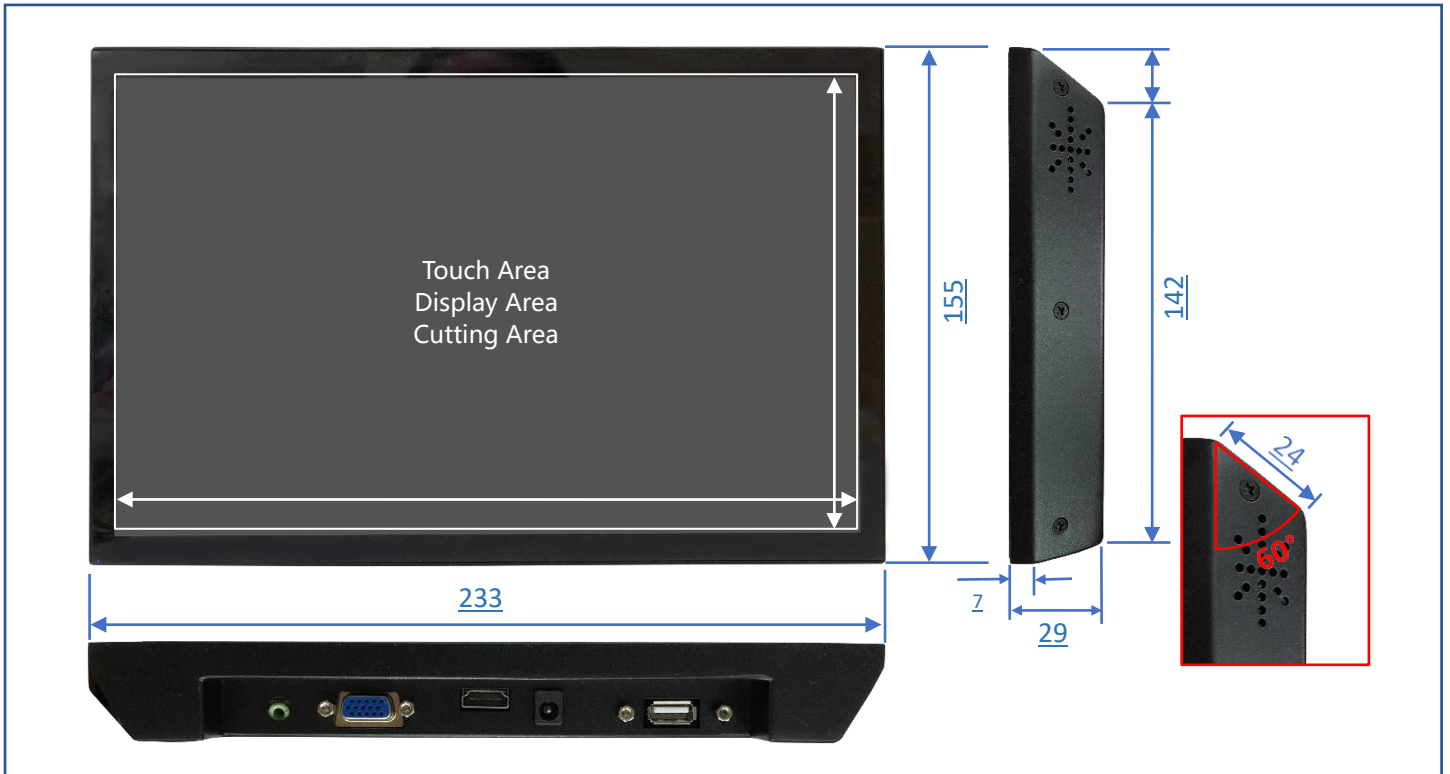
Packing Information



Dimensions of Carton	390x320x90 mm
Net Weight	≤1.1 KG
Gross Weight	≤2.2 KG

Physical Specifications

Dimension (Max)	233x155x29(±2) mm	Net Weight	≤1.1 KG
VESA Mounting	75x75 mm	Gross Weight	≤2.2 KG



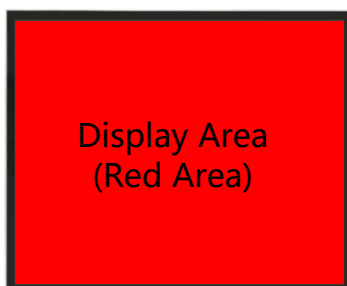
Cosmetic Inspection Standard

Display Area Allowance			
Defect description	Defective Specifications	Allowance	Remarks
Dot Defect (including dark dot, particles, bubbles, pits, dust, foreign matter)	$D \leq 0.2\text{mm}$	Ignored	D=Diameter
	$0.2 < D \leq 0.7\text{mm}$	$N \leq 5$	N=Quantity
	$0.7 < D \leq 1\text{mm}$	$N \leq 3$	
	$D > 1\text{mm}$	$N \leq 0$	
Linear Defect (including scratches, fluff, particles)	$W \leq 0.15\text{mm}$	Ignored	W=Width
	$0.15 < W \leq 0.5\text{mm}, L \leq 15\text{mm}$	$N \leq 2$	L=Length
	$W > 0.5\text{mm}$ or $L > 15\text{mm}$	NG	

* Visual inspection distance: 60cm, 90 degree (same for front/side/back)

Front Appearance Allowance (Including Coating)			
Defect description	Defective Specifications	Allowance	Remarks
Dot Defect (including particles, bubbles, pits...etc.)	$D \leq 0.7\text{mm}$	Ignored	D=Diameter
	$0.7 < D \leq 1.5\text{mm}$	$N \leq 3$	N=Quantity
	$D > 1.5\text{mm}$	$N \leq 0$	
Linear Defect (including scratches, fluff, particles)	$W \leq 0.2\text{mm}, L \leq 15\text{mm}$	Ignored	W=Width, L=Length
	$0.2 < W \leq 0.7\text{mm}, L \leq 15\text{mm}$	$N \leq 1$	
	$W > 0.7\text{mm}$ or $L > 15\text{mm}$	NG	

Side / Back Appearance Allowance (Including Coating)			
Defect description	Defective Specifications	Allowance	Remarks
Dot Defect (including particles, bubbles, pits...etc.)	$D \leq 1.5\text{mm}$	Ignored	D=Diameter
	$1.5 < D \leq 3\text{mm}$	$N \leq 8$	N=Quantity
	$D > 3\text{mm}$	$N \leq 2$	
Linear Defect (including scratches, fluff, particles)	$W \leq 0.8\text{mm}, L \leq 15\text{mm}$	Ignored	W=Width, L=Length
	$0.8 < W \leq 1.5\text{mm}, L \leq 15\text{mm}$	$N \leq 5$	
	$W > 1.5\text{mm}$ or $L > 15\text{mm}$	NG	



Display Area
(Red Area)



Front Appearance (Red Area)



Back Appearance