



Product Specifications

Customer	
Model	NTSP173 V400



Records of Revision			
Vision	Modifying	Old Description	New Description
v2208.1	Preliminary Specification		

Features

- ★ 17.3 inch Industrial Grade Panel, 1920x1080 (FHD) Resolution
- ★ Wide Operating Temperature Range 0~70°C
- ★ True Flat Projected Capacitive Touch Screen
- ★ 7H Hardness Tempered Cover Glass
- ★ 10 points Multi-touch, Supports Active Stylus
- ★ Metal Cabinet with Diverse Combine Options
- ★ Made in Taiwan, 3 Years Warranty, Designed for Harsh Environments
- ★ VGA/HDMI/DP Video Input
- ★ Optional Software Remote Control by RS232
- ★ Optional 9~36VDC Power Input
- ★ Optional High Brightness 1500nits, for Outdoor Environment
- ★ Optional Auto Dimming Function (with Light Sensor)
- ★ Optional AG Coating/Antibacterial/Privacy Filter Surface Treatment



PSE



BSMI



RoHS



CE



ISO9001



FCC



Desktop Stand



Wall Mounting



Open-frame Brackets



Display Specifications

Model Name	NTSP173XXSDX-XXXXXX-400*	Display Mode	TN, Normally White
Screen Diagonal	17.3 inch	Response Time	40 msec.
Display Area	381.9x214.8 mm	Backlight Unit	LED (white LED)
Resolution	1920x1080 (FHD)	Viewing Angle (L/R, U/D)	160°/140° (CR _≥ 10)
Contrast Ratio	600:1	Backlight Lifetime	>50,000 Hours
Display Ratio	16:9	Operating Temp.	0~70°C
Support Colors	16.7M Colors	Storage Temp.	-20~70°C
Pixel Pitch	0.1989x0.1989 mm	Surface Treatment	Hardness 3H

* X = A~Z, 0~9 (Depends on options)

Display Options

Brightness			
	Brightness	Environment	Model Name
Standard	400nits	General (Indoor)	NTSP173NXSDX-XXXXXX-400
Option 1	1000nits	Outdoor Environment	NTSP173AXSDX-XXXXXF-400
Option 2	1500nits	Sunlight Readable	NTSP173FXSDX-XXXXXF-400

Accessories

Item	Description	Quantity
HDMI Cable	Male to Male, 1.8 Meter	1
AC-DC Adapter	12V with CE/FCC/CCC/UL/RoHS/PSE/JET Certification	1
Power Cord	*Country Specific	1
USB Cable	A type, Male to Male, 1.8 Meter *(only for touch monitor)	1

Touch Options

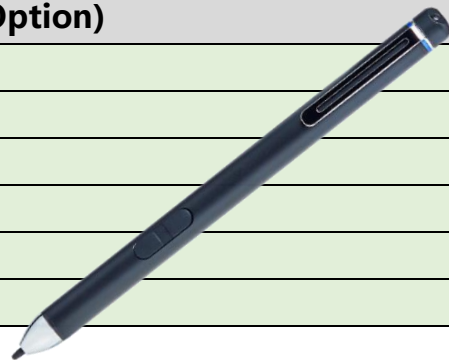
Projected Capacitive			
Model Name	NTSP173X <u>P</u> SDX-XXXXXX-400		
Touch Technology	Projected Capacitive	Transparency	≥87%
Allowed Touch Points	10 points	Accuracy	99.00%
Interface	USB/RS232 (Option)	Thickness of Cover Lens	2.9±0.2mm
IK Ratings	IK07	Hardness of Cover Lens	7H



* True Flat, 1mm Bezel

Non-Touch	
Model Name	NTSP173X <u>0</u> SDX-XXXX <u>0</u> X-400

Active Stylus (Option)	
Technology	Active Capacitive Coupled
Working Frequencies	90~250 KHZ
Pressure Level	256~1024 Levels
Side Buttons	2 Side Buttons (Eraser, Barrel)
Active Tip Force	5~25g
Max. Tip Force	400g



General Options

Power Input		
	Description	Model Name
Standard	12V, Lockable DC Jack Φ 2.1mm	NTSP173XXSD2-XXXXXX-400
Option	9~36VDC, Phoenix Terminal Block	NTSP173XXSD P -XXXXXX-400



Lockable DC Power Jack



Phoenix Terminal Block

Surface Film		
	Description	Model Name
Standard	(none)	NTSP173XXSDX-00XXXX-400
Option 1	Anti-Glare Coating	NTSP173XXSDX- GG XXXX-400
Option 2	Antibacterial (AB Film)	NTSP173XXSDX- AB XXXX-400
Option 3	Anti-Spy (AS Film)	NTSP173XXSDX- SF XXXX-400



General Options (Continued)

Color of Cabinet		
	Description	Model Name
Standard	Black	NTSP173XXSDX-XXBXXX-400
Option 1	White	NTSP173XXSDX-XXWXXX-400
Option 2	Silver	NTSP173XXSDX-XXSXXX-400
Options	Other Colors	NTSP173XXSDX-XXXXXX-400

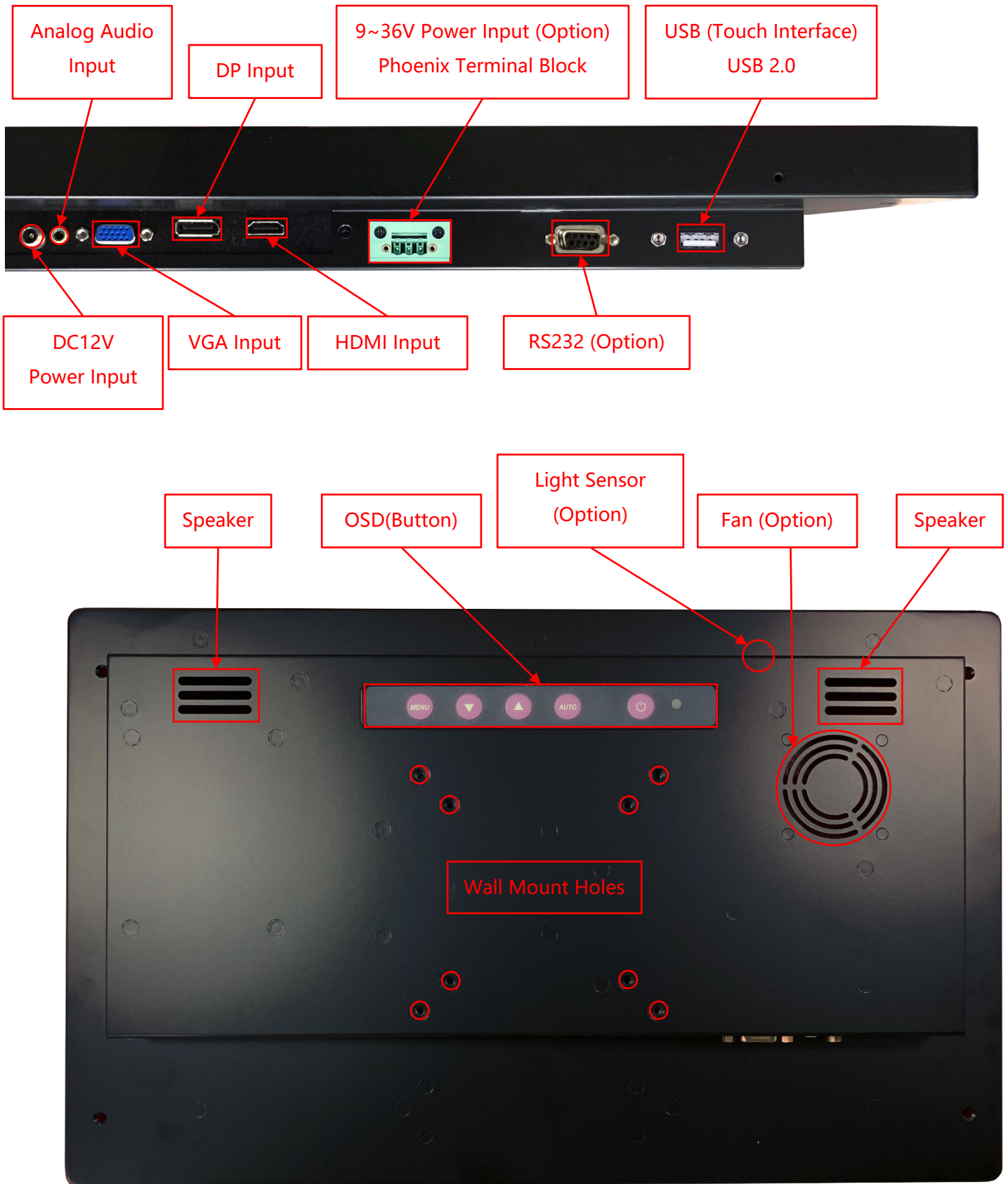
* X = A~Z, 0~9 (Depends on Color)

Material of Cabinet		
	Description	Model Name
Standard	SECC	NTSP173XXSDX-XXXSXX-400
Option 1	Stainless Steel	NTSP173XXSDX-XXXLXX-400
Option 2	Aluminum	NTSP173XXSDX-XXXAXX-400

Touch Interface		
	Description	Model Name
Standard	USB	NTSP173XPSDX-XXXXUX-400
Option 1	RS232	NTSP173XPSDX-XXXXRX-400
Option 2	Non-Touch	NTSP173X0SDX-XXXX0X-400

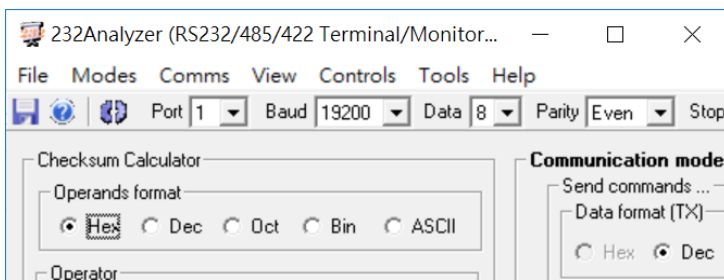
Cooling Fan		
	Description	Model Name
Standard	Fanless	NTSP173XXSDX-XXXXX0-400
Option	7 Blades/4000r.p.m/28.3dB	NTSP173XXSDX-XXXXXF-400

Input /Output System



Other Options

OSD Control		
	Item	Description
Standard	Button	Rear Physical Button
Option 1	Software Remote Control	Software Remote Control by RS232/Serial Port
Option 2	Auto Dimming	Auto Brightness Adjusting by Light Sensor



* Software Remote Control



Supported OS

Windows	Win7, Win8, Win10, Win11 ↑
Linux	Kernel 2.6.24 ↑
Android	3.0 ↑
Mac	10.5.x ↑ (Intel CPU)

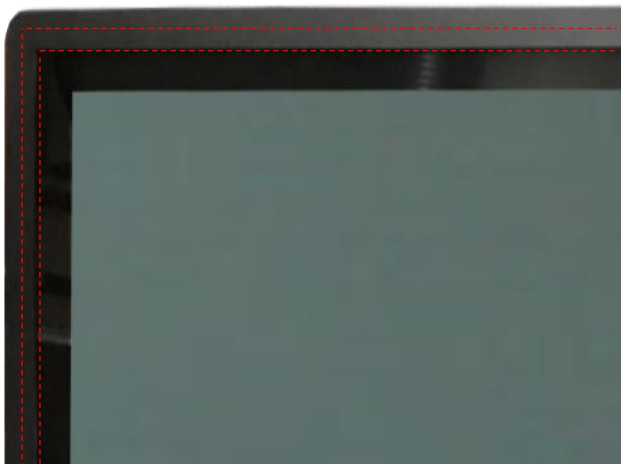
Front Cover (Option)



The standard **NTSP173** is true flat surface, with only 1mm metal bezel.
To protect the corners of the touch screen, the **Front Cover** can be added.



The watertight gasket can be added between the **Front Cover** and **NTSP173**.
It complies **IP65** on front.

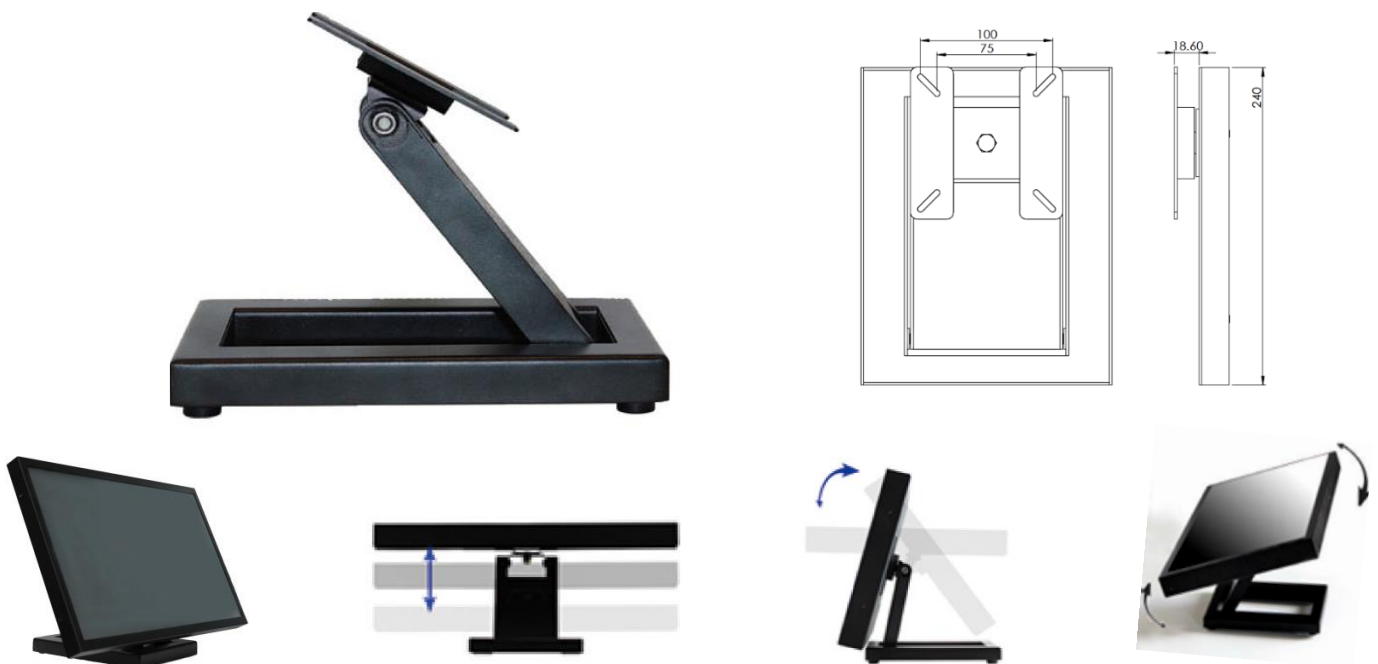


Desktop Stand (Option)

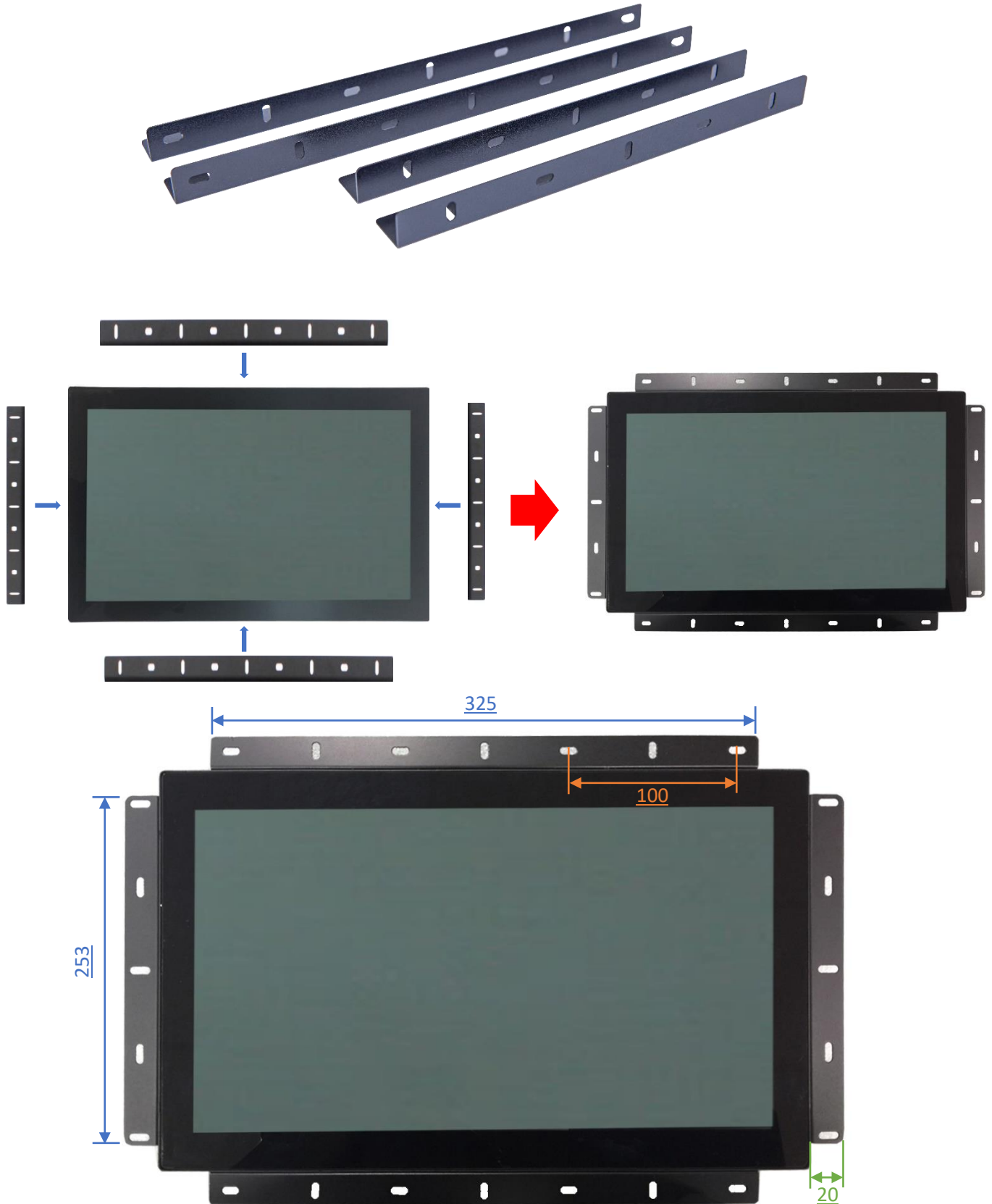
Item	B Stand	Part No.	DST-0B002/DST-1B002
Mounting Pattern	100x100 / 75x75 mm	Dimension (WxHxD)	203x275x227 mm
Material	Steel/Plastic/Aluminum	Net Weight	1.8 KG
Tilt (Hinge)	-2° ~ +180°	Support Max. Weight	15 KG



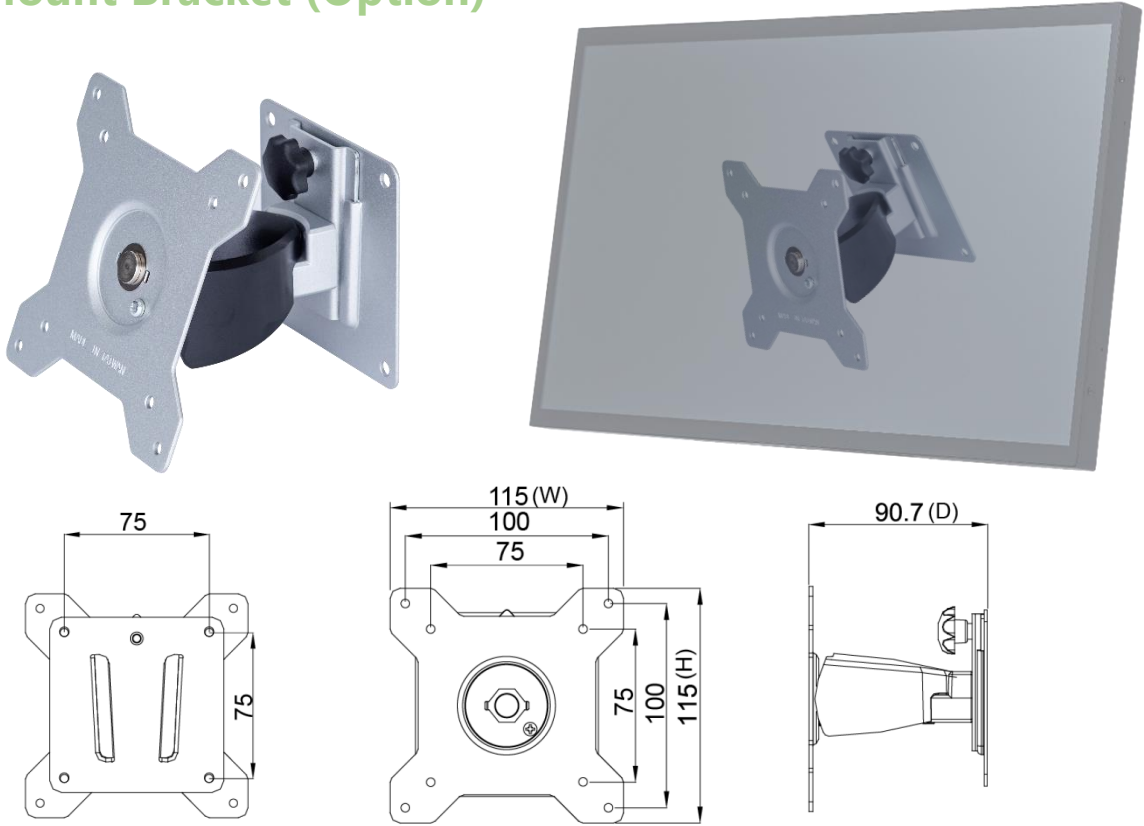
Item	Z Stand	Part No.	DST-0BZ01/DST-1BZ01
Mounting Pattern	100x100 / 75x75 mm	Dimension (WxHxD)	190x240x41.6
Material	SECC	Net Weight	2.6 KG
Tilt (Hinge)	±360°	Support Max. Weight	15 KG



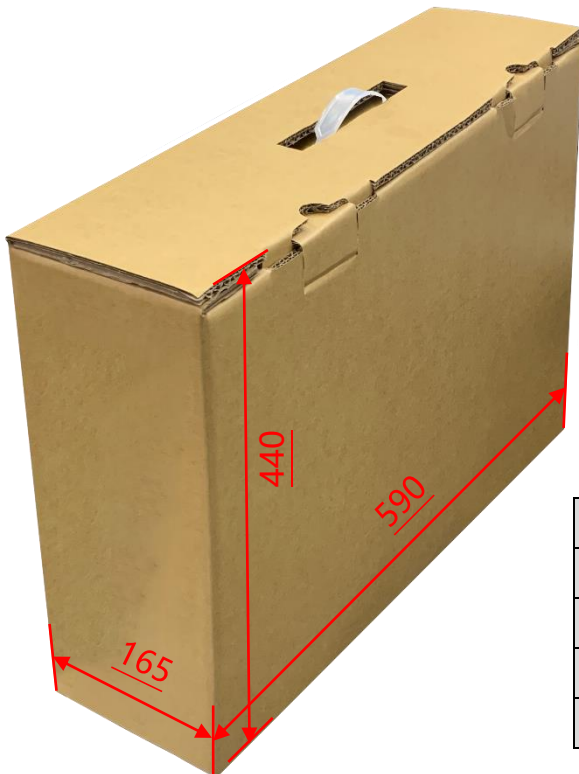
Open-frame Brackets (Option)



Wall Mount Bracket (Option)



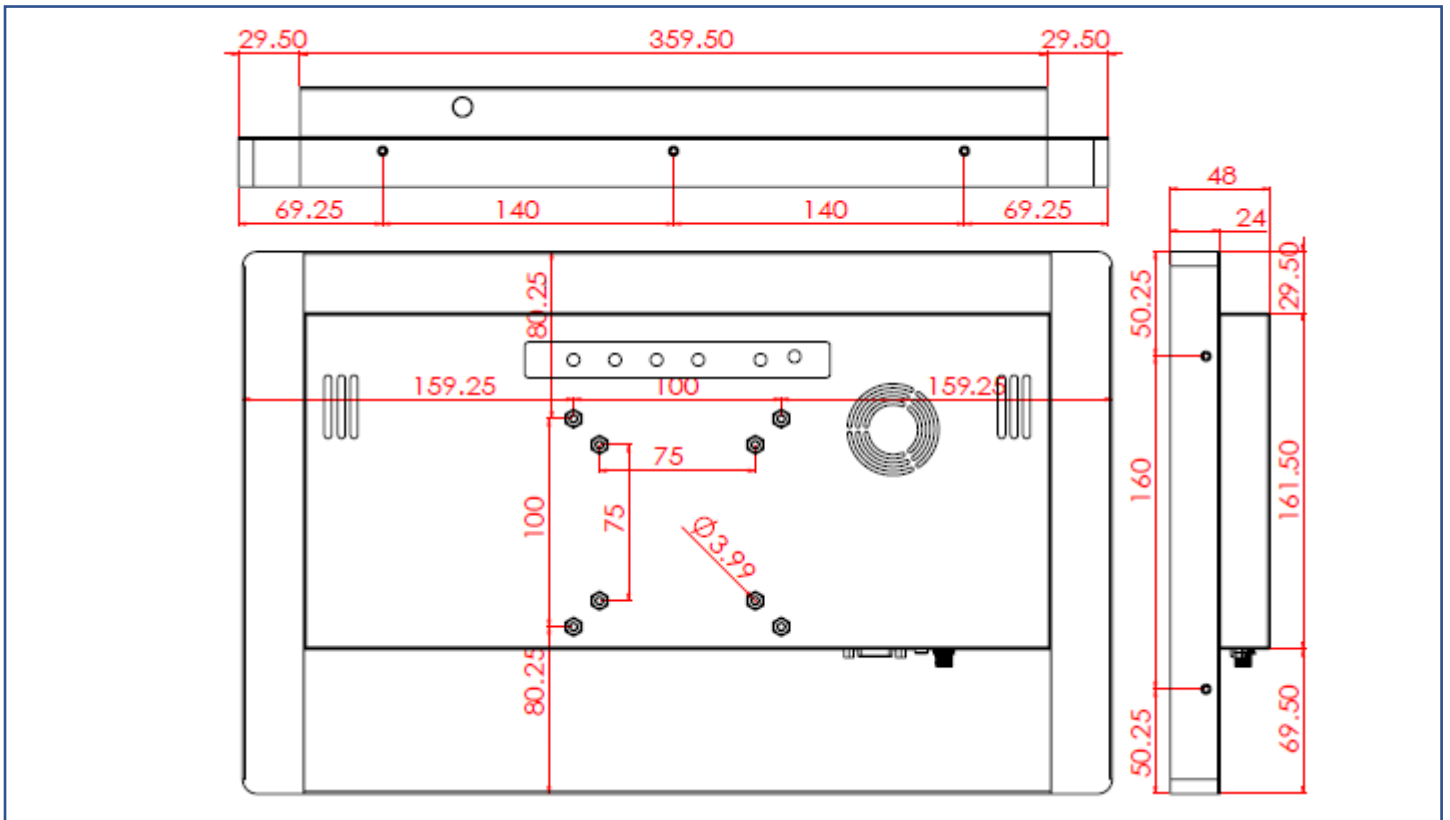
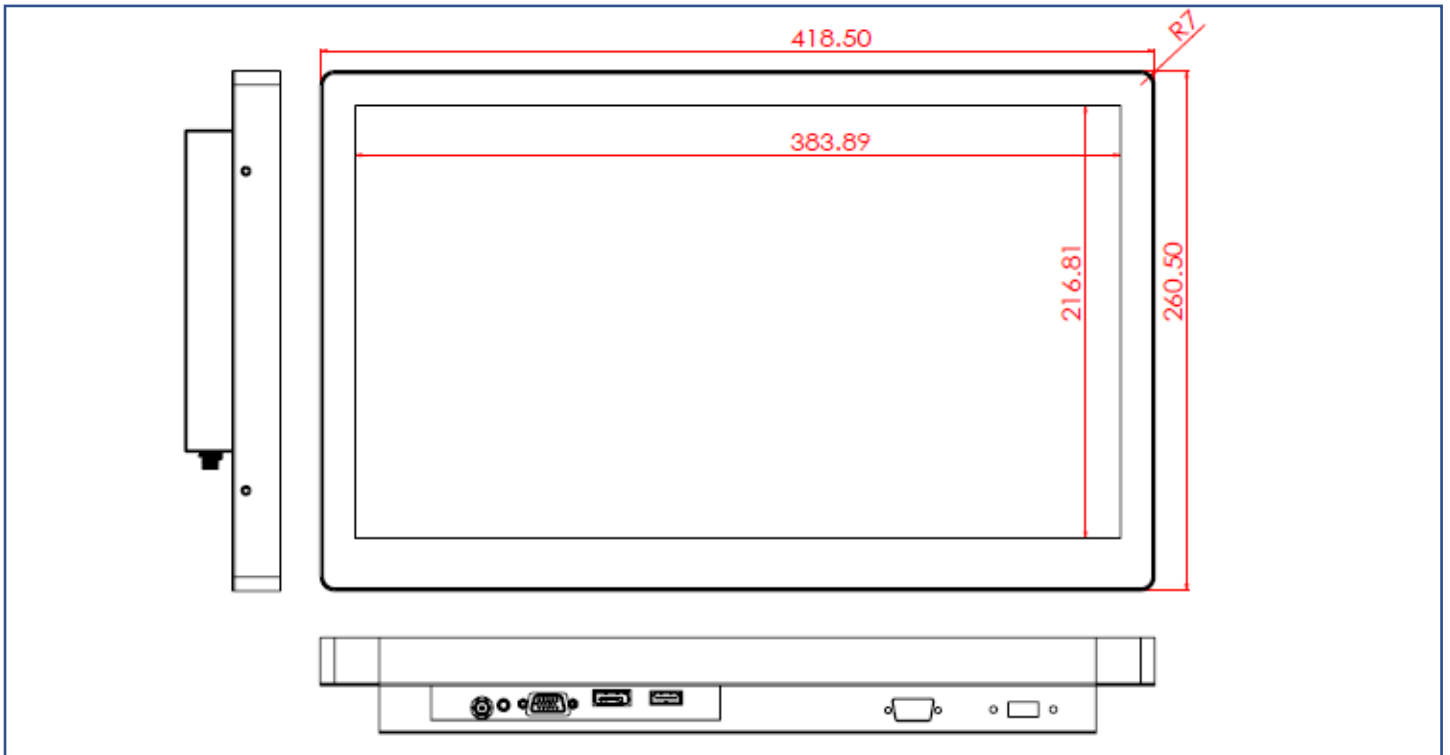
Packing Information



Unit Carton Size	590x165x440 mm
Unit N. Weight	≤3.4 KG
Unit G. Weight	≤5.2 KG
Units per Pallet	36 units
Pallet Size	120x100x147 CM

Physical Specifications

Dimension (Max)	418.5x260.5x48(±2)mm	Net Weight	≤3.4 KG
VESA Mounting	100x100/75x75 mm	Gross Weight	≤5.2 KG



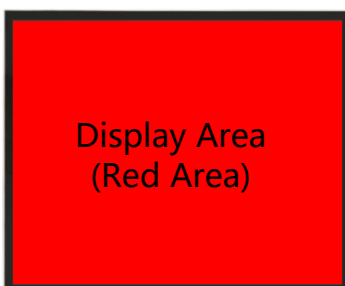
Cosmetic Inspection Standard

Display Area Allowance			
Defect description	Defective Specifications	Allowance	Remarks
Dot Defect (including dark dot, particles, bubbles, pits, dust, foreign matter)	$D \leq 0.2\text{mm}$	Ignored	D=Diameter
	$0.2 < D \leq 0.7\text{mm}$	$N \leq 5$	N=Quantity
	$0.7 < D \leq 1\text{mm}$	$N \leq 3$	
	$D > 1\text{mm}$	$N \leq 0$	
Linear Defect (including scratches, fluff, particles)	$W \leq 0.15\text{mm}$	Ignored	W=Width
	$0.15 < W \leq 0.5\text{mm}, L \leq 15\text{mm}$	$N \leq 2$	L=Length
	$W > 0.5\text{mm}$ or $L > 15\text{mm}$	NG	

* Visual inspection distance: 60cm, 90 degree (same for front/side/back)

Front Appearance Allowance (Including Coating)			
Defect description	Defective Specifications	Allowance	Remarks
Dot Defect (including particles, bubbles, pits...etc.)	$D \leq 0.7\text{mm}$	Ignored	D=Diameter
	$0.7 < D \leq 1.5\text{mm}$	$N \leq 3$	N=Quantity
	$D > 1.5\text{mm}$	$N \leq 0$	
Linear Defect (including scratches, fluff, particles)	$W \leq 0.2\text{mm}, L \leq 15\text{mm}$	Ignored	W=Width, L=Length
	$0.2 < W \leq 0.7\text{mm}, L \leq 15\text{mm}$	$N \leq 1$	
	$W > 0.7\text{mm}$ or $L > 15\text{mm}$	NG	

Side / Back Appearance Allowance (Including Coating)			
Defect description	Defective Specifications	Allowance	Remarks
Dot Defect (including particles, bubbles, pits...etc.)	$D \leq 1.5\text{mm}$	Ignored	D=Diameter
	$1.5 < D \leq 3\text{mm}$	$N \leq 8$	N=Quantity
	$D > 3\text{mm}$	$N \leq 2$	
Linear Defect (including scratches, fluff, particles)	$W \leq 0.8\text{mm}, L \leq 15\text{mm}$	Ignored	W=Width, L=Length
	$0.8 < W \leq 1.5\text{mm}, L \leq 15\text{mm}$	$N \leq 5$	
	$W > 1.5\text{mm}$ or $L > 15\text{mm}$	NG	



Display Area
(Red Area)



Front Appearance (Red Area)



Back Appearance