

Product Specifications

Customer	
Model	NTSM104-1 V500



Records of Revision			
Vision	Modifying	Old Description	New Description
v2009.1	Preliminary specifications		
v2009.2	Information of weights revised		
v2009.3	Packaging methods updated		
v2009.4	Display specifications upgraded	Support colors : 16.2M Backlight lifetime : 30K hrs	Support colors : 16.7M Backlight lifetime : 50K hrs

Features

- ★ 10.4 inch industrial grade panel, 1024x768 resolution
- ★ IAV wide viewing angle technology , 176°/176°
- ★ Wide operating temperature range -20~70°C
- ★ Metal cabinet with diverse combine options
- ★ Made in Taiwan, 3 years warranty, designed for harsh environments
- ★ Resistive touch options, supports NEXTECH dedicated stylus
- ★ Optional video input (VGA/DVI/HDMI/DP)
- ★ Optional software remote control by RS232 or DDC/CI
- ★ Optional high brightness 1500nits, for outdoor environment
- ★ Optional auto dimming function (with light sensor)
- ★ Optional AG coating/Antibacterial/Privacy filter surface treatment



Desktop Stand



Wall Mounting



Open-frame Brackets



Panel Mount

Display Specifications

Model Name	NTSM104XXSXX-XXXXX0-500	Display Mode	IAV Mode, Normally Black
Screen Diagonal	10.4 inch	Response Time	25 msec.
Display Area	210.4x157.8 mm	Backlight Unit	LED (white LED)
Resolution	1024x768 (XGA)	Viewing Angle (L/R, U/D)	176°/176° (CR_≥10)
Contrast Ratio	1000:1	Backlight Lifetime	>50,000 Hours
Display Ratio	4:3	Operating Temp.	-20~70°C
Support Colors	16.7M Colors	Storage Temp.	-20~70°C
Pixel Pitch	0.0685x0.2055 mm		

* X = A~Z, 0~9 (Depends on options)

Display Options

Brightness			
	Brightness	Environment	Model Name
Standard	350nits	General (Indoor)	NTSM104NXSXX-XXXXX0-500
Option 1	1000nits	Outdoor Environment	NTSM104AXSXX-XXXXX0-500
Option 2	1500nits	Sunlight Readable	NTSM104FXSXX-XXXXX0-500

Accessories

Item	Description	Quantity
HDMI Cable	Male to Male, 1.8 Meter	1
AC-DC Adapter	12V with CE/FCC/CCC/UL/RoHS/PSE/JET Certification	1
Power Cord	*Country Specific	1
USB Cable	A type, Male to Male, 1.8 Meter *(only for touch monitor)	1

Touch Options

Resistive Touch			
Model Name	NTSM104X5SXX-XXXXB0-500		
Touch Technology	Resistive Touch	Transparency	80%±5%
Allowed Touch Points	1 point	Surface Treatment	Anti-glare<15%
Interface	USB/RS232	Hardness	≥3H
Precision	98.50%		

Non-Touch	
Model Name	NTSM104X0SXX-XXXX00-500

Passive Stylus Pen (Option)	
Technology	Passive High Sensitive Knitted Wire Mesh Fiber Tip
Size of tip	6mm
Magnetic Attachment	Yes



Magnetic Attachment >

Supported OS

Windows	Win7, Win8, Win10, Win11 ↑
Linux	Kernel 2.6.24 ↑
Android	3.0 ↑
Mac	10.5.x ↑ (Intel CPU)

General Options

Video Input		
	Description	Model Name
Standard	VGA+HDMI+DP	NTSM104XXS<u>32</u>-XXXXX0-500
Option	VGA+DVI	NTSM104XXS <u>11</u> -XXXXX0-500



VGA+HDMI+DP



VGA+DVI

Power Input		
	Description	Model Name
Standard	12V, Lockable DC Jack Φ2.1mm	NTSM104XXS<u>32</u>-XXXXX0-500
Option	12VDC, DC Jack Φ 2.1mm	NTSM104XXS <u>11</u> -XXXXX0-500



Lockable Power Jack

Surface Treatment		
	Description	Model Name
Standard	(none)	NTSM104XXSXX-<u>00</u>XXX0-500
Option 1	Anti-Glare Coating	NTSM104XXSXX- <u>GG</u> XXX0-500
Option 2	Antibacterial (AB Film)	NTSM104XXSXX- <u>AB</u> XXX0-500
Option 3	Anti-Spy (AS Film)	NTSM104XXSXX- <u>SF</u> XXX0-500

General Options (Continued)

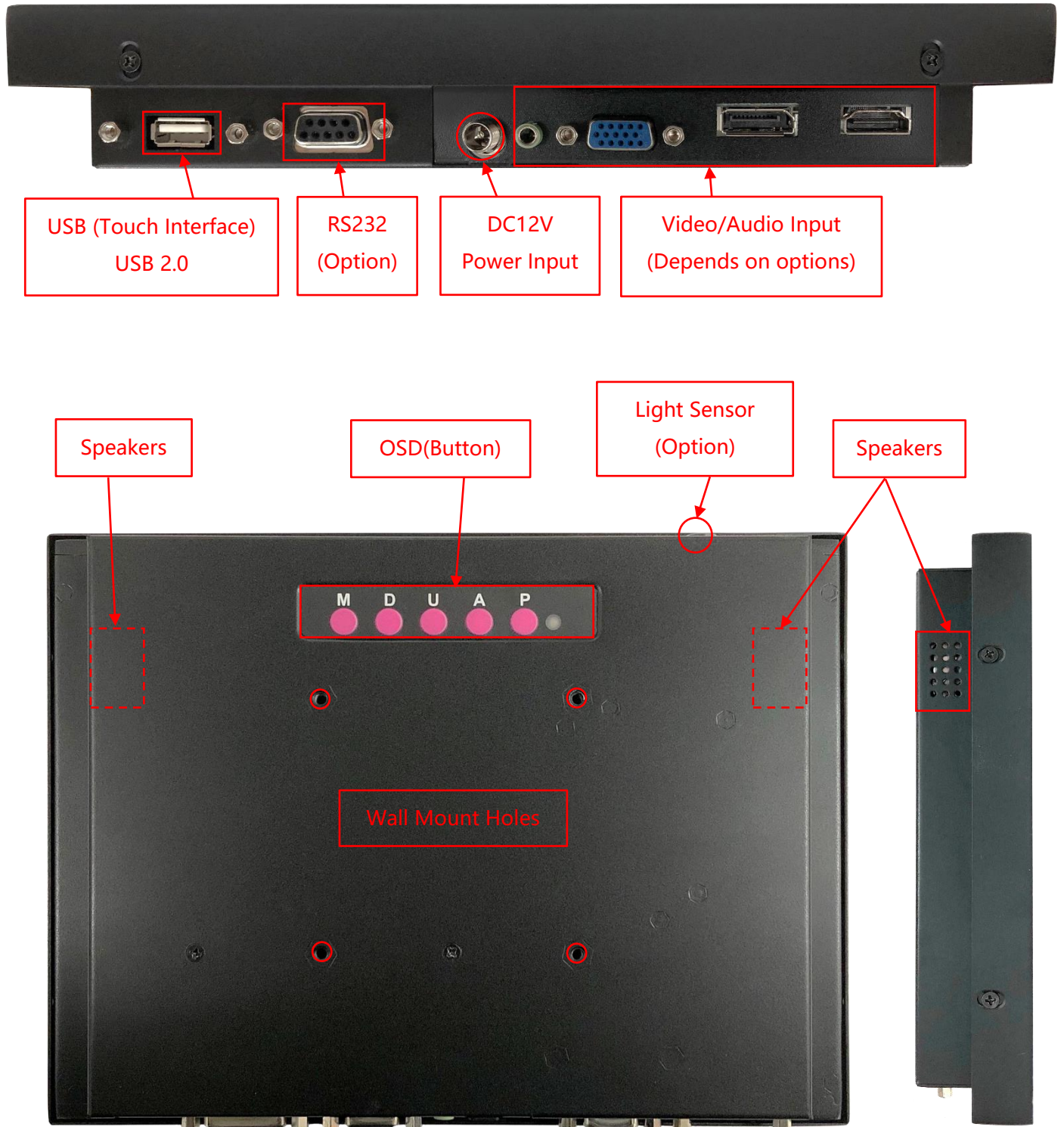
Color of Cabinet		
	Description	Model Name
Standard	Black	NTSM104XXSXX-XXBXX0-500
Option 1	White	NTSM104XXSXX-XXWXX0-500
Option 2	Silver	NTSM104XXSXX-XXSXX0-500
Options	Other Colors	NTSM104XXSXX-XXXXX0-500

* X = A~Z, 0~9 (Depends on Color)

Material of Cabinet		
	Description	Model Name
Standard	SECC	NTSM104XXSXX-XXXSX0-500
Option 1	Stainless Steel	NTSM104XXSXX-XXXLX0-500
Option 2	Aluminum	NTSM104XXSXX-XXXAX0-500

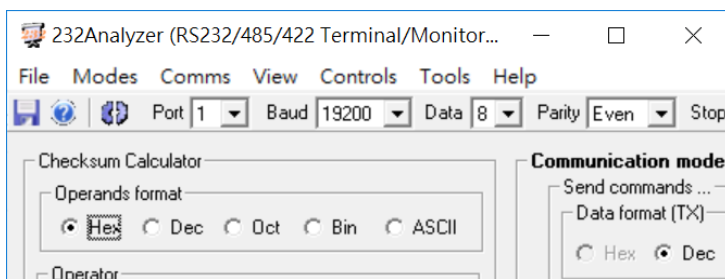
Touch Interface		
	Description	Model Name
Standard	USB+RS232	NTSM104X5SXX-XXXXB0-500
Option 1	Non-Touch	NTSM104X0SXX-XXXX00-500

Input /Output System

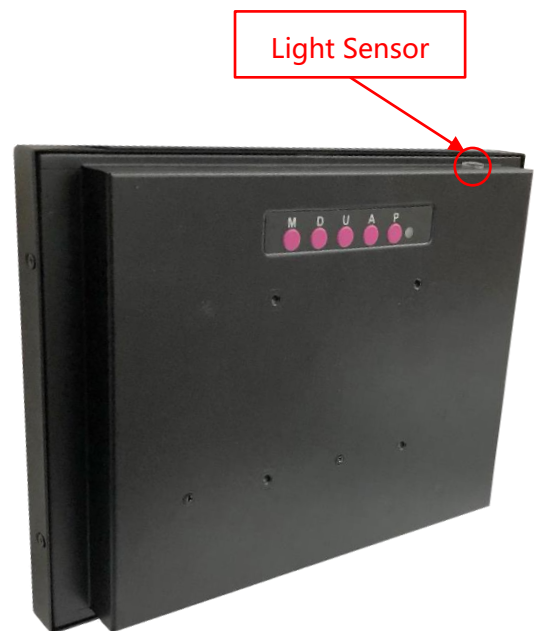


Other Options

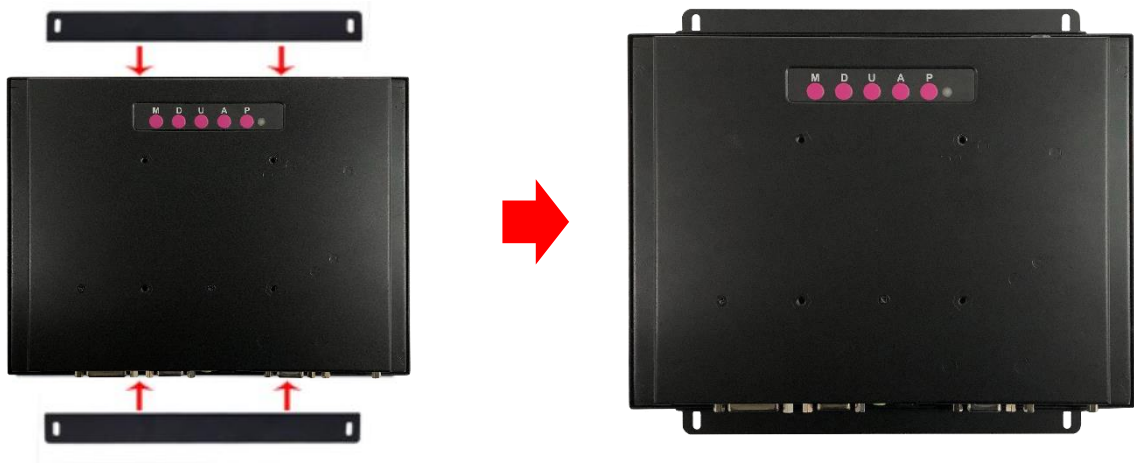
OSD Control		
	Item	Description
Standard	Button	Rear Physical Button
Option 1	Software Remote Control	Software Remote Control by RS232/Serial Port
Option 2	Auto Dimming	Auto Brightness Adjusting by Light Sensor



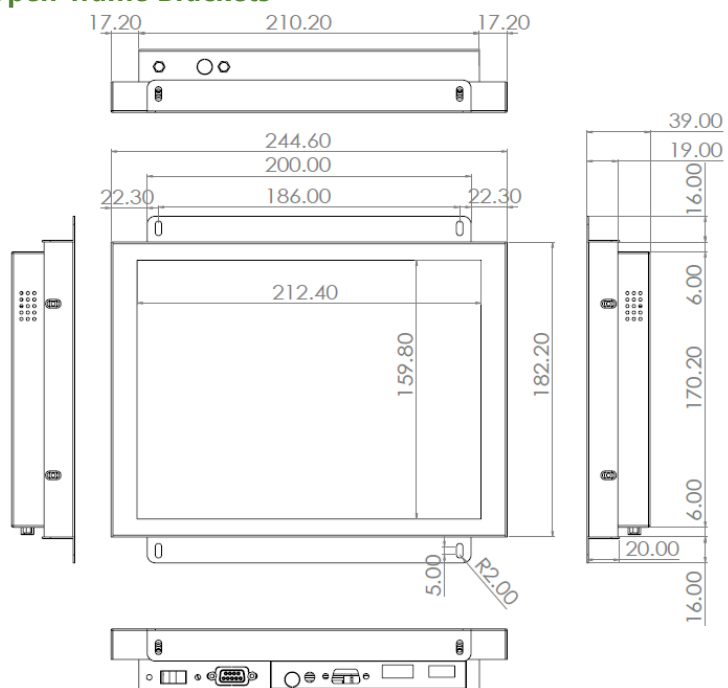
* Software Remote Control



Open-frame Brackets (Option)



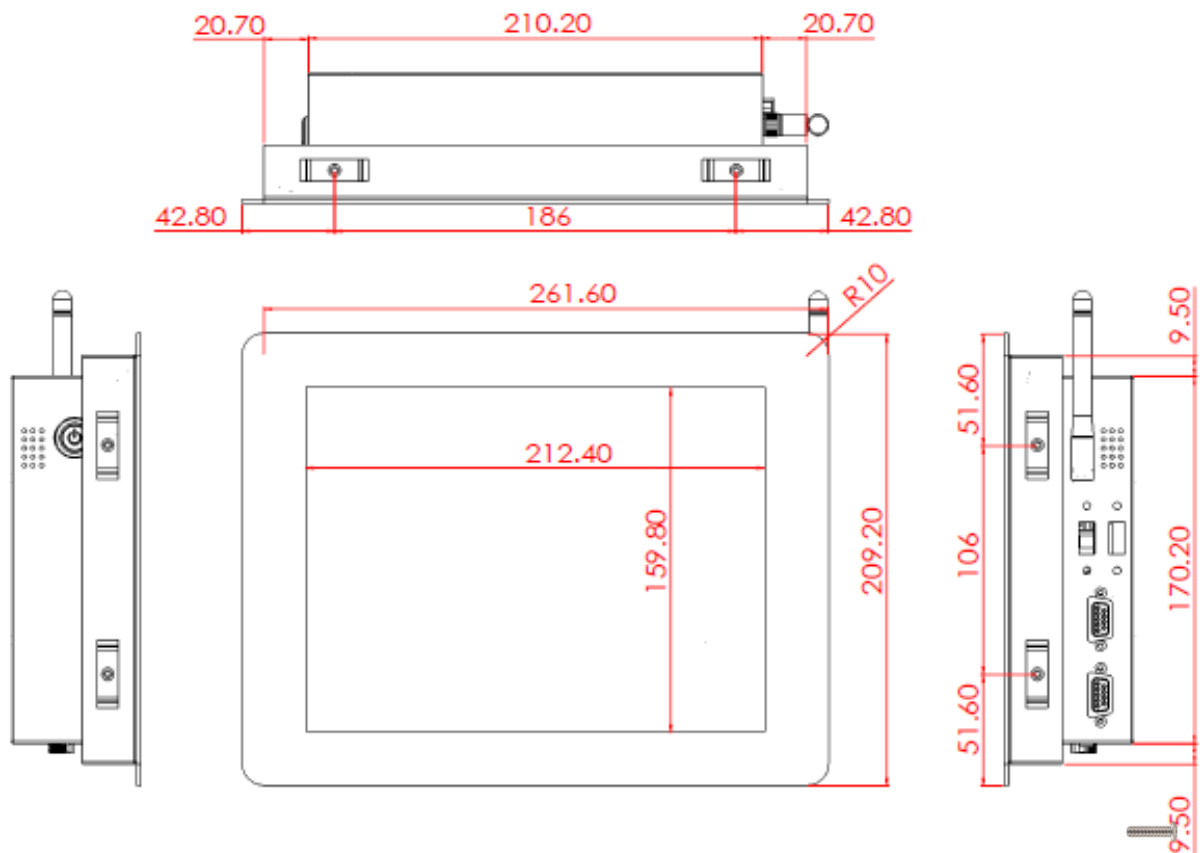
Dimension for Installing with Open-frame Brackets

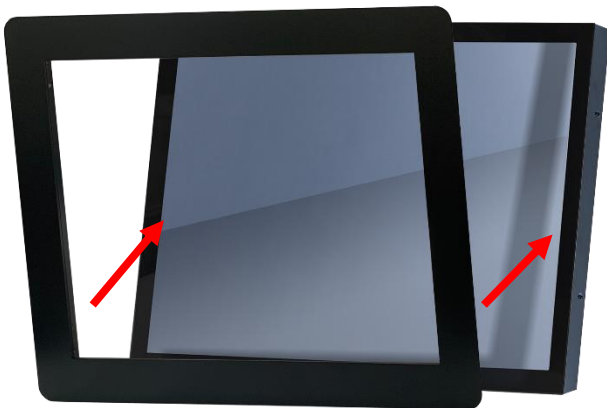


Panel Mount Kits (Option)

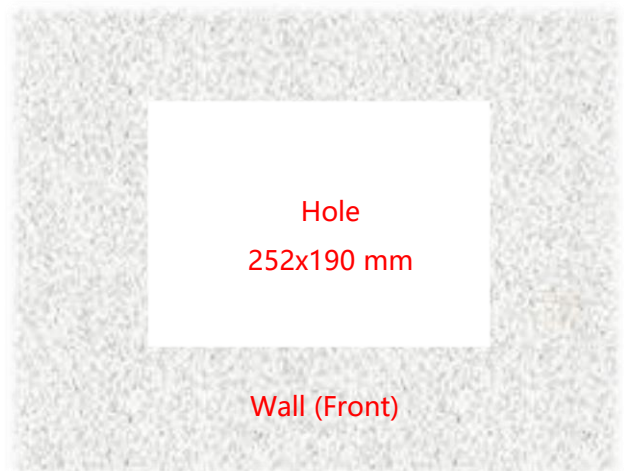


Dimension for Installing with Panel Mount Kits

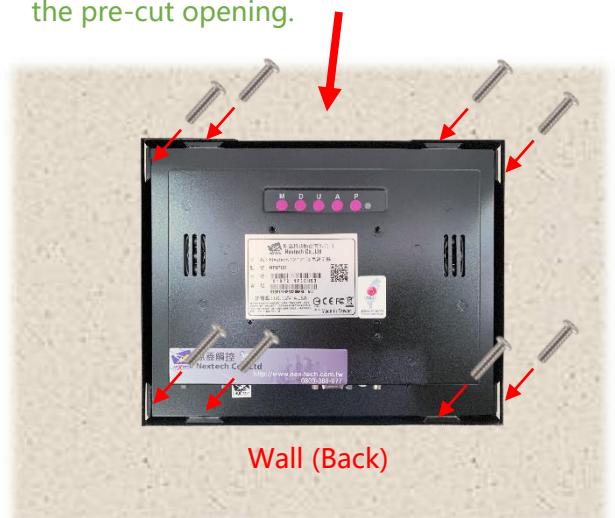




Step 1: Assemble the front module with the screen body. (This step is pre-assembled at the factory.)



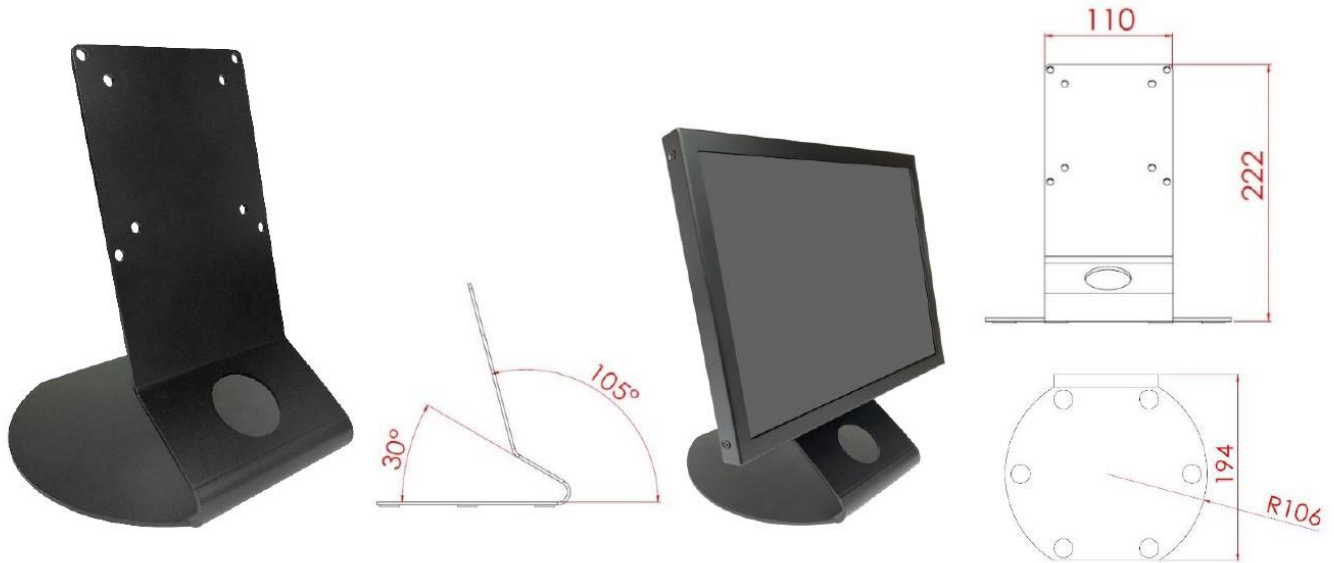
Step 2: Insert the screen from the front into the pre-cut opening.



Step 3: Attach the clips from the back and secure with screws. (Up to 10 clips can be installed as needed or per positional limitations.)

Desktop Stand (Option)

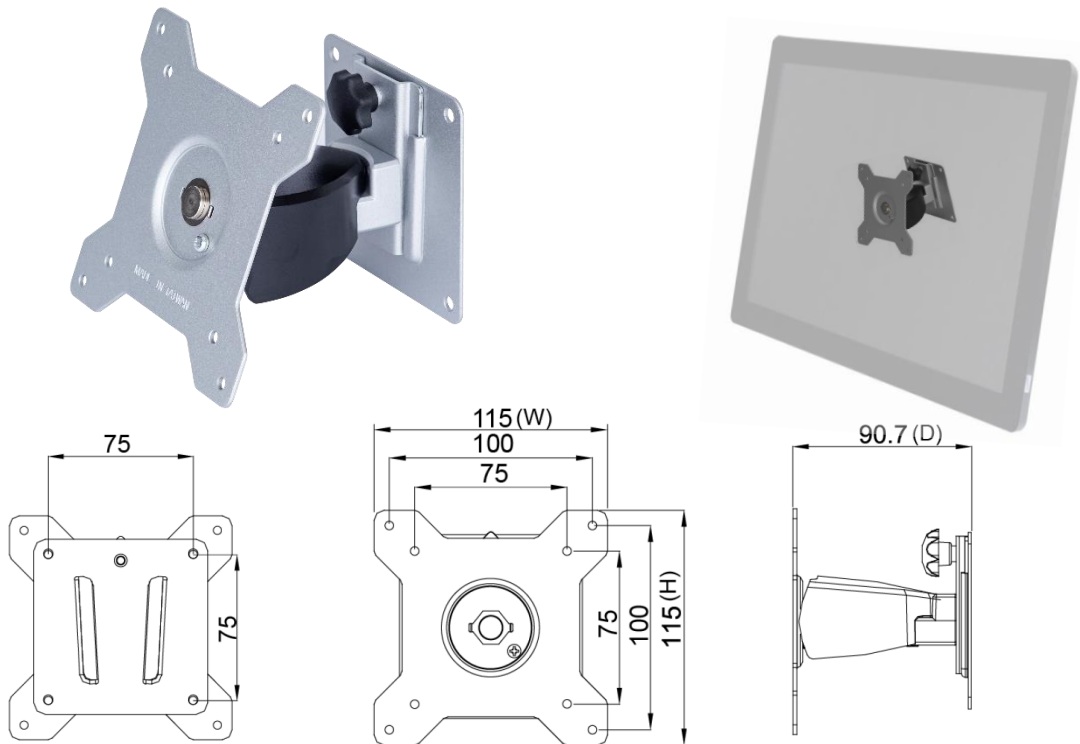
Item	L Stand	Part No.	DST-0B004/DST-1B004
Mounting Pattern	100x100 / 75x75 mm	Dimension (WxHxD)	194x194x222 mm
Material	SECC	Net Weight	1.4 KG
Tilt (Hinge)	105°	Support Max. Weight	15 KG



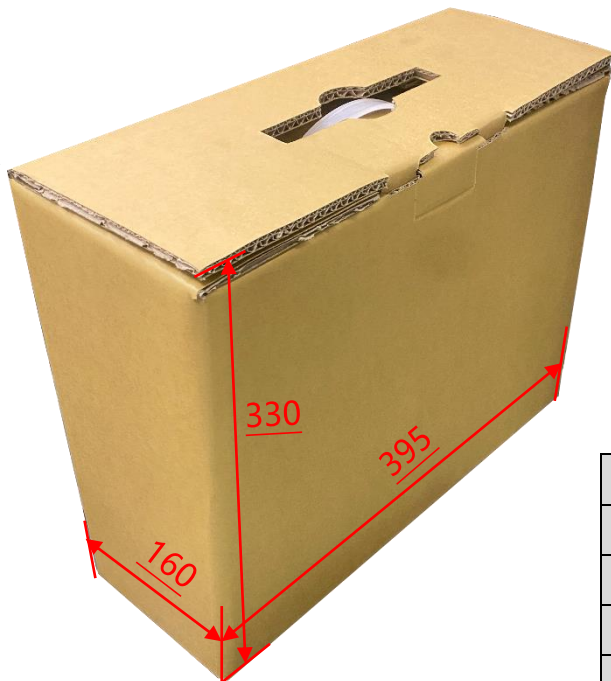
Item	B Stand	Part No.	DST-0B002/DST-1B002
Mounting Pattern	100x100 / 75x75 mm	Dimension (WxHxD)	203x275x227 mm
Material	Steel/Plastic/Aluminum	Net Weight	1.8 KG
Tilt (Hinge)	-2° ~ +180°	Support Max. Weight	15 KG



Wall Mount Bracket (Option)



Packing Information



Unit Carton Size	395x160x330 mm
Unit N. Weight	≤1.5 KG
Unit G. Weight	≤2.6 KG
Units per Pallet	72 units
Pallet Size	120x100x142 CM

Cosmetic Inspection Standard

Display Area Allowance			
Defect description	Defective Specifications	Allowance	Remarks
Dot Defect (including dark dot, particles, bubbles, pits, dust, foreign matter)	$D \leq 0.2\text{mm}$	Ignored	D=Diameter
	$0.2 < D \leq 0.7\text{mm}$	$N \leq 5$	N=Quantity
	$0.7 < D \leq 1\text{mm}$	$N \leq 3$	
	$D > 1\text{mm}$	$N \leq 0$	
Linear Defect (including scratches, fluff, particles)	$W \leq 0.15\text{mm}$	Ignored	W=Width
	$0.15 < W \leq 0.5\text{mm}, L \leq 15\text{mm}$	$N \leq 2$	L=Length
	$W > 0.5\text{mm}$ or $L > 15\text{mm}$	NG	

* Visual inspection distance: 60cm, 90 degree (same for front/side/back)

Front Appearance Allowance (Including Coating)			
Defect description	Defective Specifications	Allowance	Remarks
Dot Defect (including particles, bubbles, pits...etc.)	$D \leq 0.7\text{mm}$	Ignored	D=Diameter
	$0.7 < D \leq 1.5\text{mm}$	$N \leq 3$	N=Quantity
	$D > 1.5\text{mm}$	$N \leq 0$	
Linear Defect (including scratches, fluff, particles)	$W \leq 0.2\text{mm}, L \leq 15\text{mm}$	Ignored	W=Width, L=Length
	$0.2 < W \leq 0.7\text{mm}, L \leq 15\text{mm}$	$N \leq 1$	
	$W > 0.7\text{mm}$ or $L > 15\text{mm}$	NG	

Side / Back Appearance Allowance (Including Coating)			
Defect description	Defective Specifications	Allowance	Remarks
Dot Defect (including particles, bubbles, pits...etc.)	$D \leq 1.5\text{mm}$	Ignored	D=Diameter
	$1.5 < D \leq 3\text{mm}$	$N \leq 8$	N=Quantity
	$D > 3\text{mm}$	$N \leq 2$	
Linear Defect (including scratches, fluff, particles)	$W \leq 0.8\text{mm}, L \leq 15\text{mm}$	Ignored	W=Width, L=Length
	$0.8 < W \leq 1.5\text{mm}, L \leq 15\text{mm}$	$N \leq 5$	
	$W > 1.5\text{mm}$ or $L > 15\text{mm}$	NG	



Display Area
(Red Area)



Front Appearance (Red Area)



Back Appearance