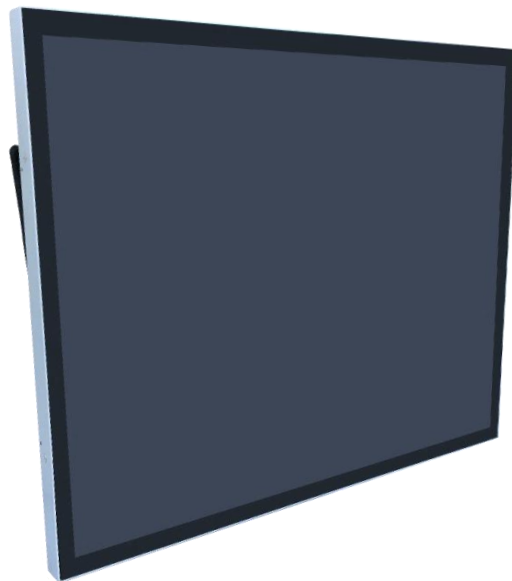




Product Specifications

Customer	
Model	NTAP190-1 V500
Name	NTAP190<u>XXSXX</u>-J8A72F8-<u>XXXX</u>-500

* X = A~Z, 0~9 (Depends on Options.)



Records of Revision			
Vision	Modifying	Old Description	New Description
v2012.1	Preliminary Specification		
v2012.2	Add the Panel Mount Kits Option		



Features

- ★ 19 inch, 1280x1024 Resolution
- ★ Rock Chip ARM Cortex A17 RK3288 Quad-Core 1.8GHz CPU
- ★ On Board DDR3-1333 2G RAM (Max. upgraded to 4G)
- ★ On Board 8G Flash ROM (Max. upgraded to 32G)
- ★ Micro SD Card Slot x1 (Max. to 64G)
- ★ Android 9.0
- ★ Narrow Bezel, True Flat Projected Capacitive Touch Screen
- ★ 7H Hardness Tempered Cover Glass
- ★ 10 points Multi-touch, Supports Active Stylus
- ★ Metal Cabinet with Diverse Combine Options
- ★ Made in Taiwan, 3 Years Warranty
- ★ Optional High Brightness 1500nits, for Outdoor Environment
- ★ Optional AG Coating/Antibacterial/Privacy Filter Surface Treatment



PSE



BSMI



RoHS



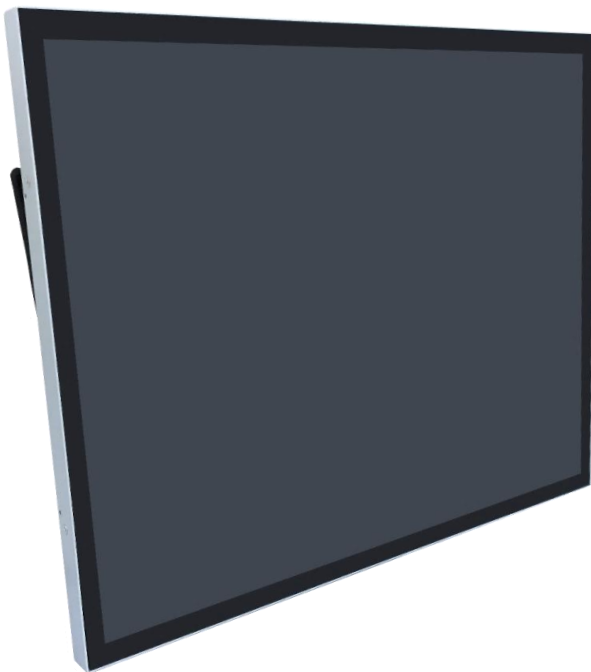
CE



ISO9001



FCC



Desktop Stand



Wall Mounting



Open-frame Bracket



Panel Mount



System Specifications

CPU	Rock Chip ARM Cortex A17 RK3288 Quad-Core 1.8GHz
Memory	DDR3-1333 2G
Storage	8G Flash ROM (Max. to 32G)
GPU Chip	Mali T764 GPU
Sound Chip	ES8316 2 Channel HD Audio
Physical Network	Realtek RTL8211E-CB Gbe (RJ45)
Wireless Network	Realtek RTL8723BS 802.11b/g/n 2.4G WIFI and Blue Tooth v4.0
Hardware Monitoring	RJ45 10/100 Mbps, WIFI 802.11b/g/n
OS	Android 9.0

Display Specifications

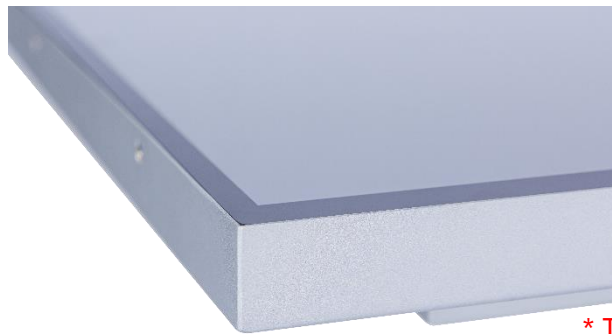
Screen Diagonal	482.6mm (19.0 inch)	Display Mode	TN Mode, Normally White
Display Area	376.3x301.1	Backlight Unit	LED (white LED)
Resolution	1280x1024	Viewing Angle (L/R, U/D)	170°/160°
Contrast Ratio	1000:1	Backlight Lifetime	>30,000 Hours
Display Ratio	4:3	Operating Temp.	0~50°C
Support Colors	16.7M Colors	Storage Temp.	-20~60°C
Pixel Pitch	294x294 um	Surface Treatment	Anti-glare, Hardness 3H
Response Time	5 msec.		

Display Options

Brightness			
	Brightness	Environment	Model Name
Standard	250nits	General (Indoor)	NTAP190NXSXX-J8A72F8-XXXX-500
Option 1	1000nits	Outdoor Environment	NTAP190AXSXX-J8A72F8-XXFX-500
Option 2	1500nits	Sunlight Readable	NTAP190FXSXX-J8A72F8-XXFX-500

Touch Options

Projected Capacitive			
Model Name	NTAP190X <u>PSXX</u> -J8A72F8- <u>XXXX</u> -500		
Touch Technology	Projected Capacitive	Thickness of Cover Lens	1.8±0.2mm
Allowed Touch Points	10 points	Hardness of Cover Lens	7H
Transparency	≥87%	IK Ratings	IK07
Accuracy	99.00%		

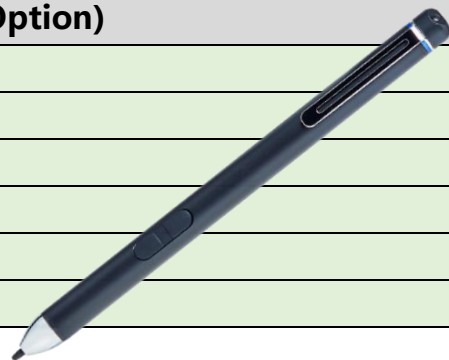


* True Flat, 1mm Bezel

Non-Touch	
Model Name	NTAP190X <u>OSXX</u> -J8A72F8- <u>XXXX</u> -500

Surface Treatment Options		
	Description	Model Name
Standard	(none)	NTAP190XXS<u>00</u>-J8A72F8-<u>XXXX</u>-500
Option 1	Anti-Glare Coating	NTAP190XXS <u>GG</u> -J8A72F8- <u>XXXX</u> -500
Option 2	Antibacterial (AB Film)	NTAP190XXS <u>AB</u> -J8A72F8- <u>XXXX</u> -500
Option 3	Anti-Spy (AS Film)	NTAP190XXS <u>SF</u> -J8A72F8- <u>XXXX</u> -500

Active Stylus (Option)	
Technology	Active Capacitive Coupled
Working Frequencies	90~250 KHZ
Pressure Level	256~1024 Levels
Side Buttons	2 Side Buttons (Eraser, Barrel)
Active Tip Force	5~25g
Max. Tip Force	400g



System Options

Material of Cabinet		
	Description	Model Name
Standard	SECC	NTAP190XXSXX-J8A72F8-<u>S</u>XXX-500
Option 1	Stainless Steel	NTAP190XXSXX-J8A72F8- <u>L</u> XXX-500
Option 2	Aluminum	NTAP190XXSXX-J8A72F8- <u>A</u> XXX-500

Color of Cabinet		
	Description	Model Name
Standard	Silver	NTAP190XXSXX-J8A72F8-<u>X</u>SXX-500
Option 1	White	NTAP190XXSXX-J8A72F8- <u>X</u> WXX-500
Option 2	Black	NTAP190XXSXX-J8A72F8- <u>X</u> BXX-500
Options	Other Color	NTAP190XXSXX-J8A72F8- <u>X</u> XXX-500

* X = A~Z, 0~9 (Depends on Color)

Cooling Fan		
	Description	Model Name
Standard	7 Blades/4000r.p.m/28.3dB	NTAP190XXSXX-J8A72F8-<u>XX</u>FX-500
Option	Fanless	NTAP190XXSXX-J8A72F8- <u>XX</u> 0X-500

Power Input		
	Description	Model Name
Standard	12VDC-in, with AC/DC Adapter	NTAP190XXSXX-J8A72F8-<u>XXX</u>2-500
Option	100~240VAC, C14 AC Power Socket	NTAP190XXSXX-J8A72F8- <u>XXX</u> A-500

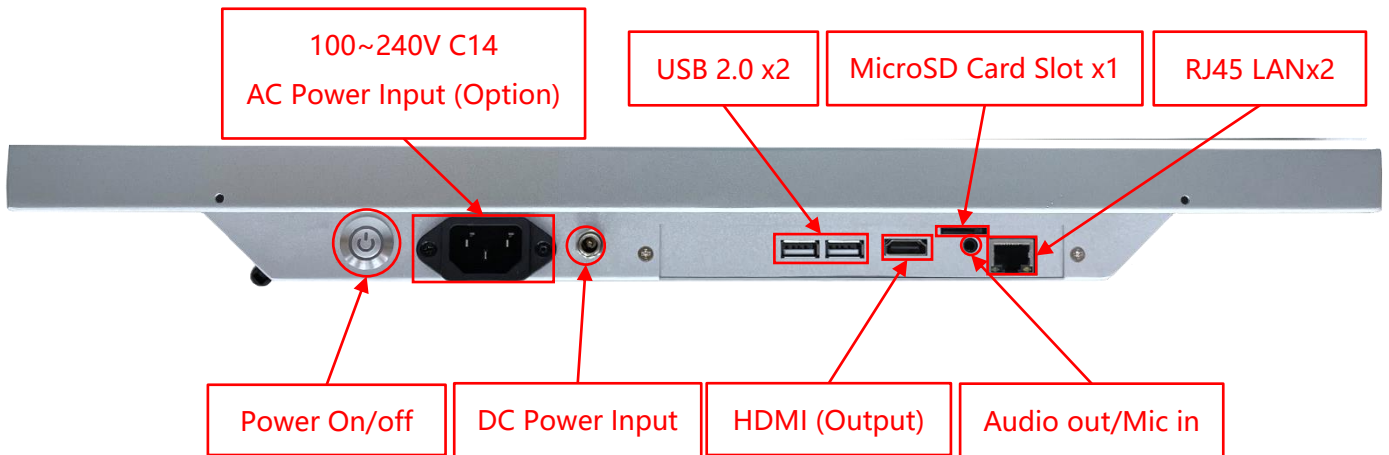


DC-in

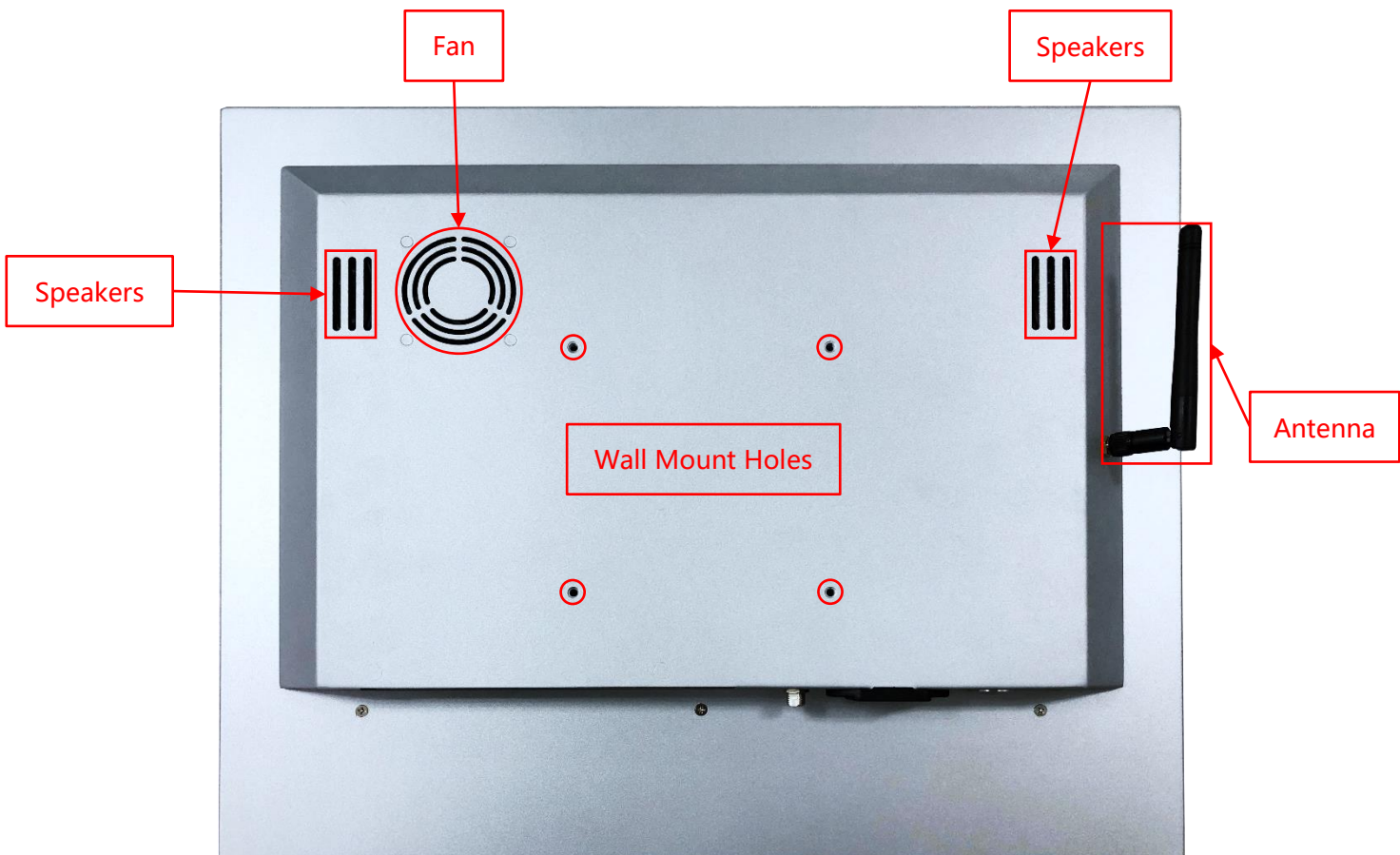


AC-in

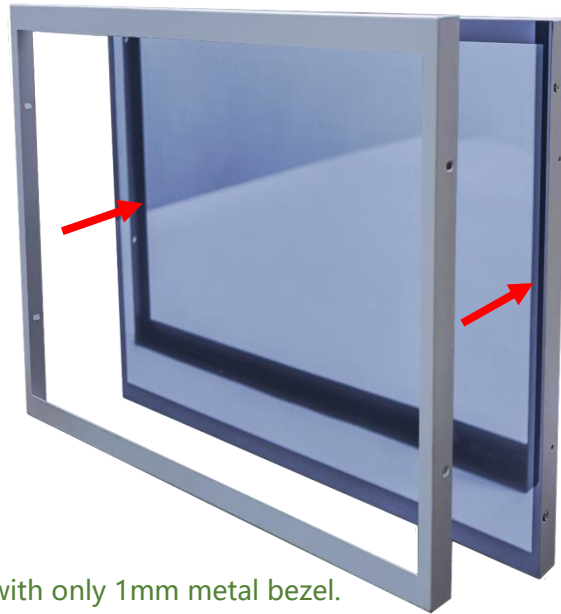
Input /Output System



Input / Output	Connectors	Input / Output	Connectors
HDMI (Output)	1	USB 2.0	2
Audio Output /Mic Input (3.5mm)	1	MicroSD Card Slot	1
DC Power Input	1	LAN (RJ45)	1
AC Power Input	Option	Wi-Fi/Bluetooth & Antenna	1
Speakers	2W x2		



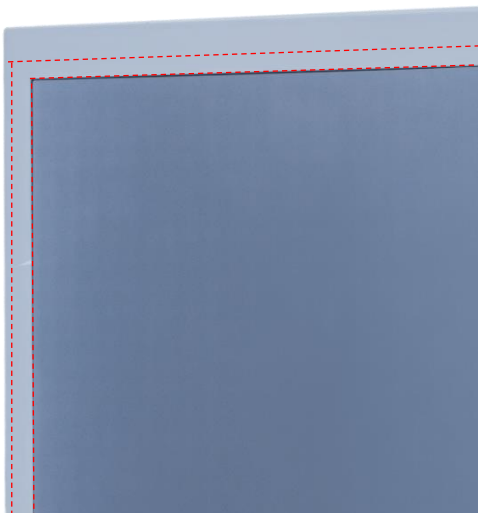
Front Cover (Option)



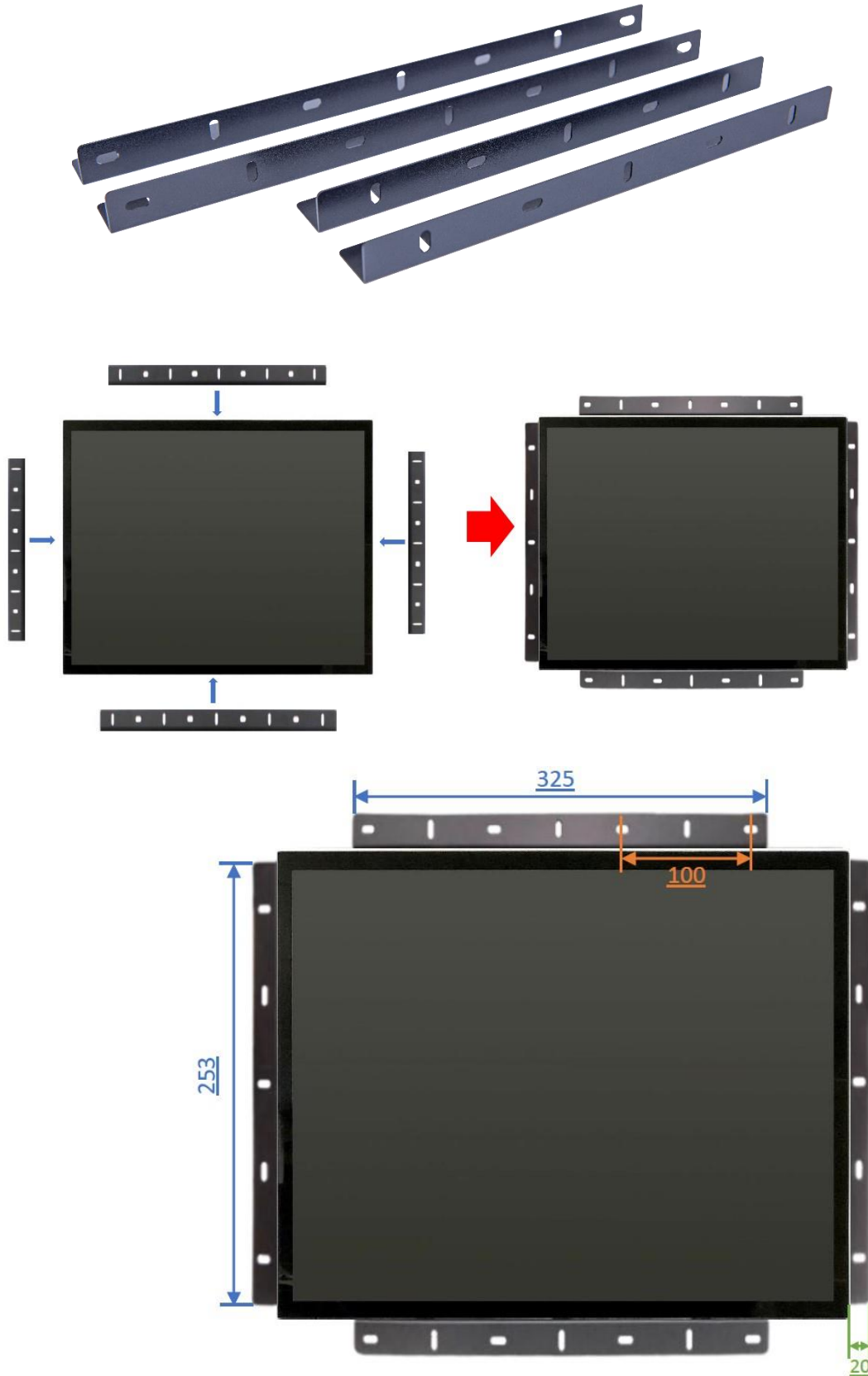
The standard **NTAP190** is true flat surface, with only 1mm metal bezel. To protect the corners of the touch screen, the **Front Cover** can be added.



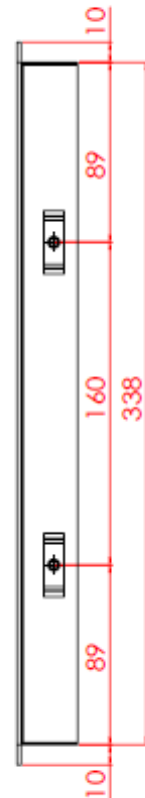
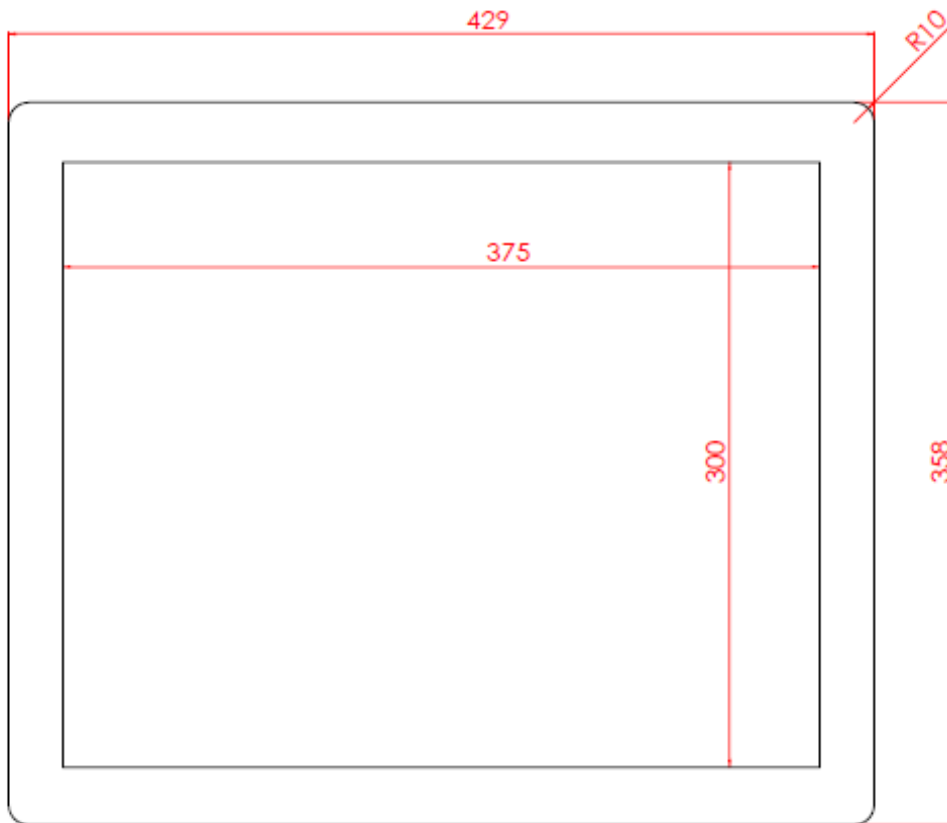
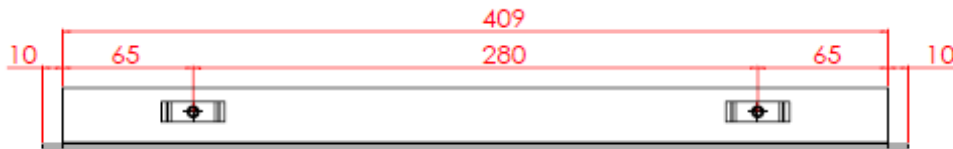
The watertight gasket can be added between the **Front Cover** and **NTAP190**. It complies **IP65** on front.

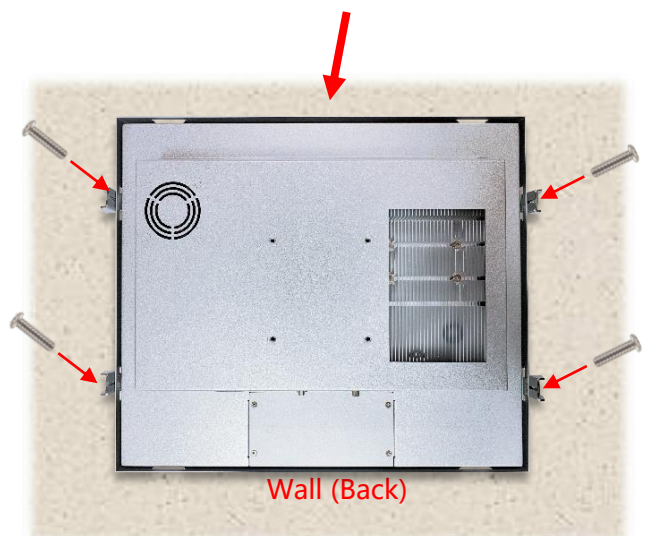
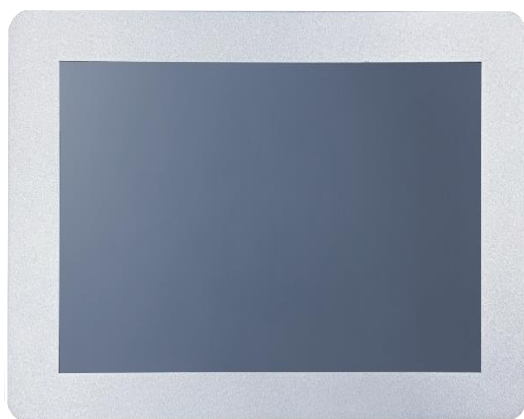
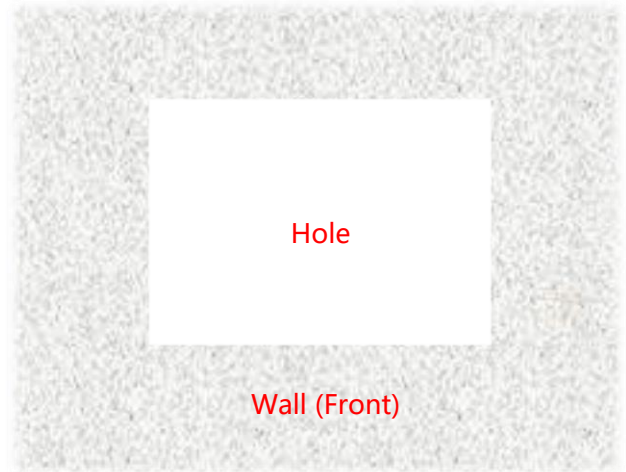
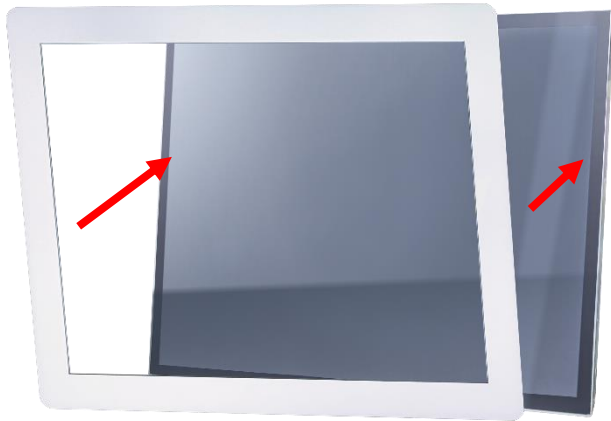


Open-frame Brackets (Option)



Panel Mount Kits (Option)



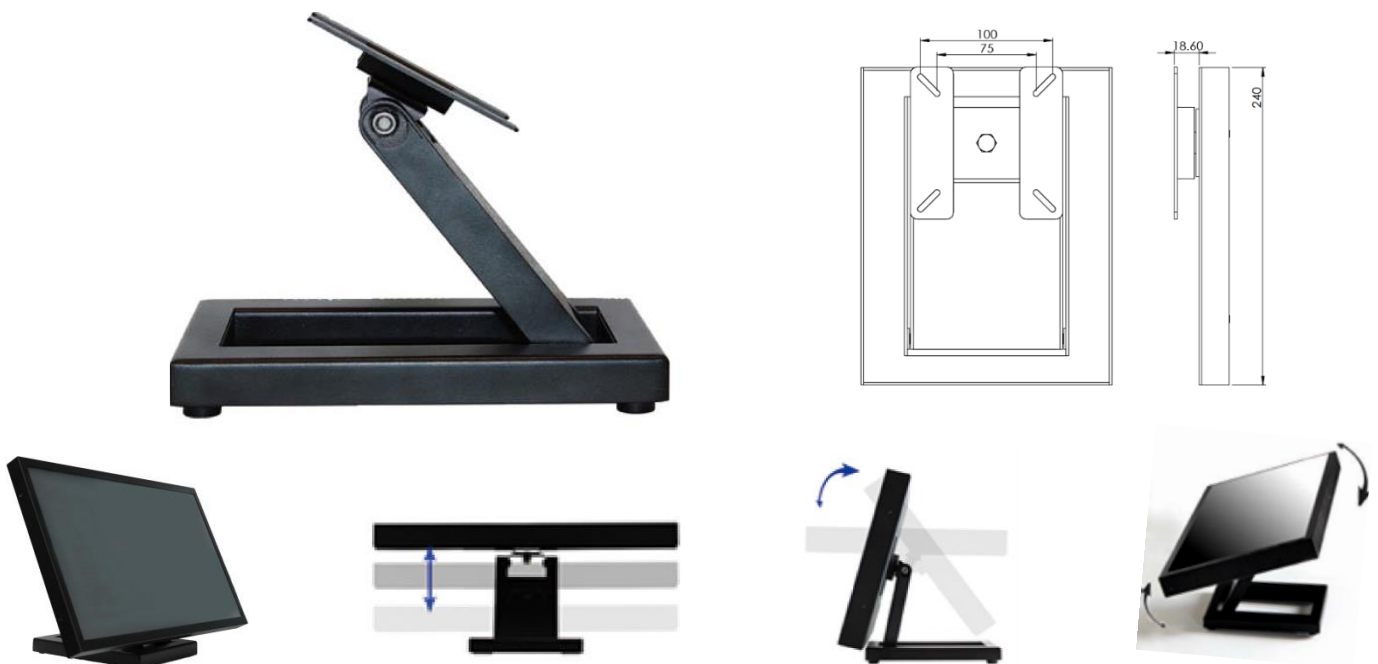


Desktop Stand (Option)

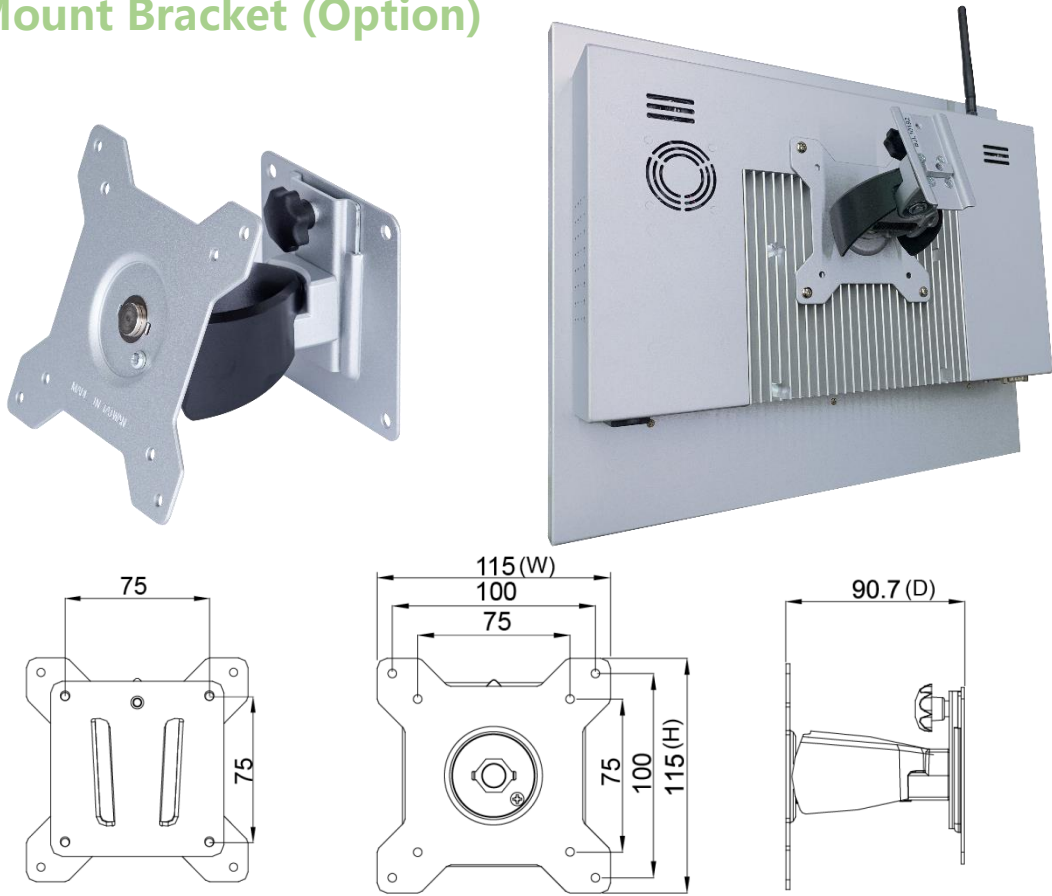
Item	B Stand	Part No.	DST-0B002/DST-1B002
Mounting Pattern	100x100 / 75x75 mm	Dimension (WxHxD)	203x275x227 mm
Material	Steel/Plastic/Aluminum	Net Weight	1.8 KG
Tilt (Hinge)	-2° ~ +180°	Support Max. Weight	15 KG



Item	Z Stand	Part No.	DST-0BZ01/DST-1BZ01
Mounting Pattern	100x100 / 75x75 mm	Dimension (WxHxD)	190x240x41.6
Material	SECC	Net Weight	2.6 KG
Tilt (Hinge)	±360°	Support Max. Weight	15 KG



Wall Mount Bracket (Option)



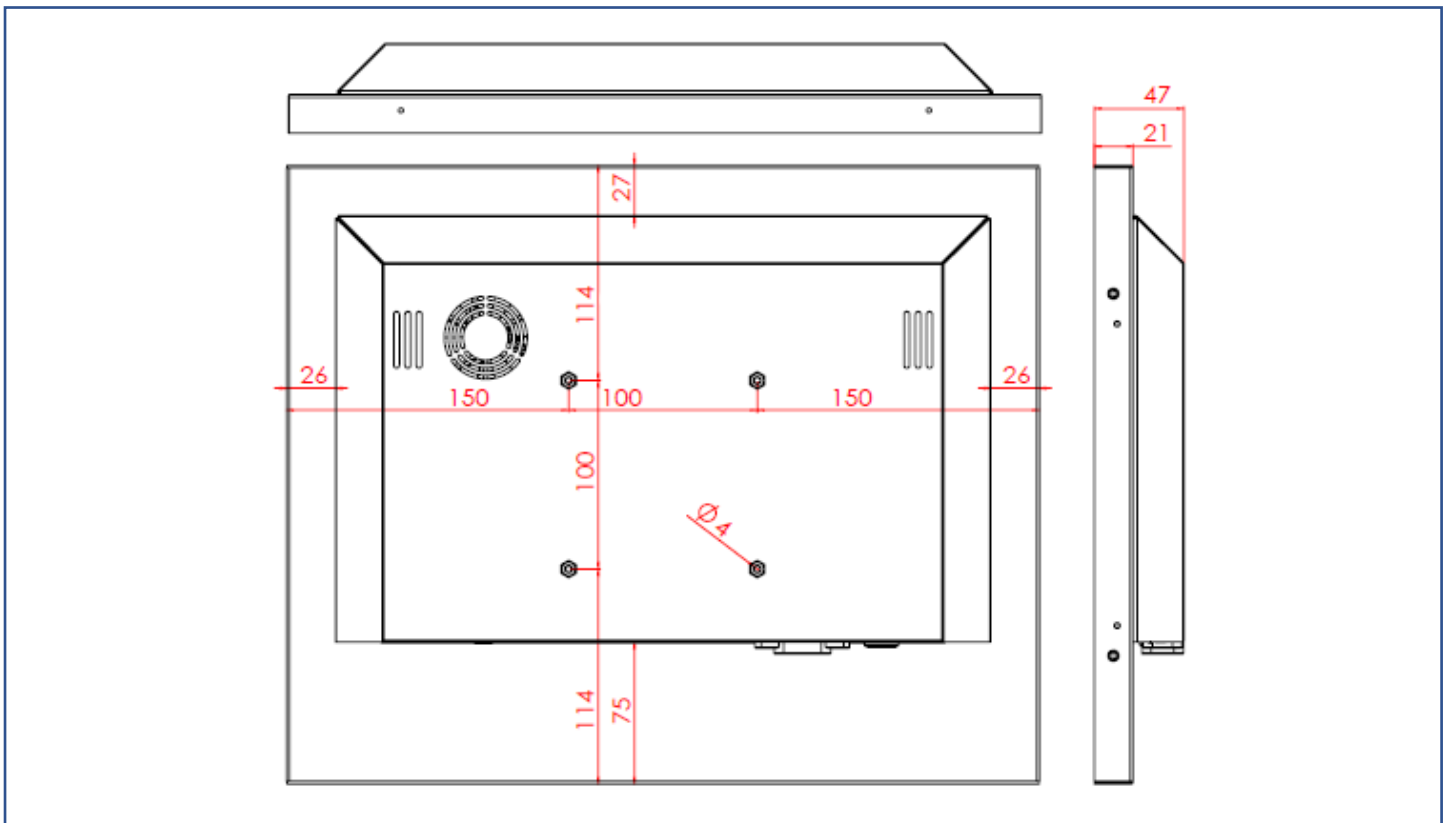
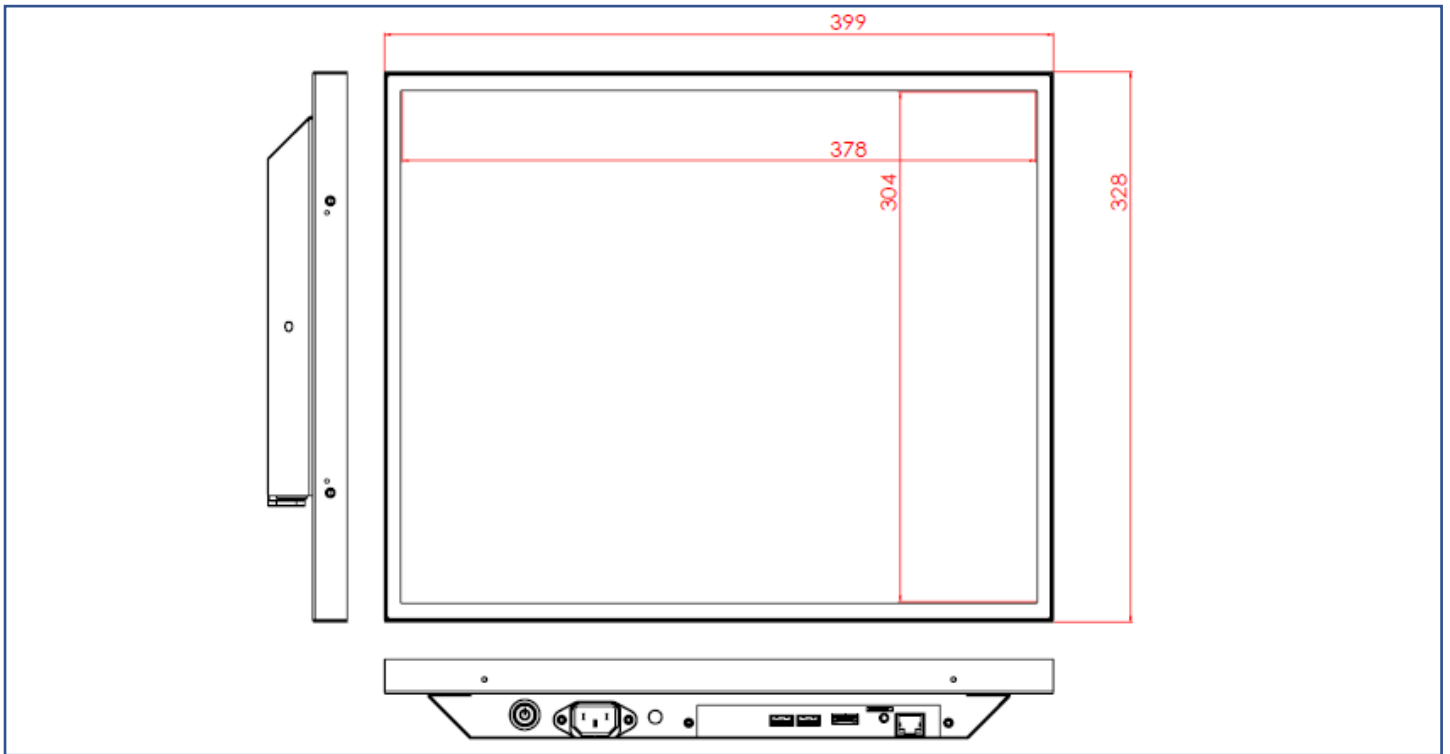
Packing Information



Dimensions of Carton	515x170x448 mm
Net Weight	≤4.5 KG
Gross Weight	≤6.0 KG

Physical Specifications

Dimension	399x328x47(±2)mm (W/O Antenna)	Net Weight	≤4.5 KG
VESA Mounting	100x100 mm	Gross Weight	≤6.0 KG



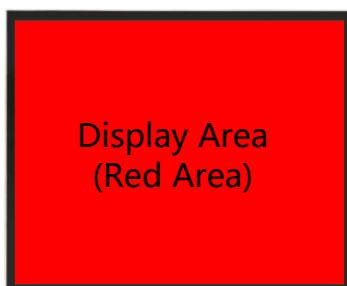
Cosmetic Inspection Standard

Display Area Allowance			
Defect description	Defective Specifications	Allowance	Remarks
Dot Defect (including dark dot, particles, bubbles, pits, dust, foreign matter)	$D \leq 0.2\text{mm}$	Ignored	D=Diameter
	$0.2 < D \leq 0.7\text{mm}$	$N \leq 5$	N=Quantity
	$0.7 < D \leq 1\text{mm}$	$N \leq 3$	
	$D > 1\text{mm}$	$N \leq 0$	
Linear Defect (including scratches, fluff, particles)	$W \leq 0.15\text{mm}$	Ignored	W=Width
	$0.15 < W \leq 0.5\text{mm}, L \leq 15\text{mm}$	$N \leq 2$	L=Length
	$W > 0.5\text{mm}$ or $L > 15\text{mm}$	NG	

* Visual inspection distance: 60cm, 90 degree (same for front/side/back)

Front Appearance Allowance (Including Coating)			
Defect description	Defective Specifications	Allowance	Remarks
Dot Defect (including particles, bubbles, pits...etc.)	$D \leq 0.7\text{mm}$	Ignored	D=Diameter
	$0.7 < D \leq 1.5\text{mm}$	$N \leq 3$	N=Quantity
	$D > 1.5\text{mm}$	$N \leq 0$	
Linear Defect (including scratches, fluff, particles)	$W \leq 0.2\text{mm}, L \leq 15\text{mm}$	Ignored	W=Width, L=Length
	$0.2 < W \leq 0.7\text{mm}, L \leq 15\text{mm}$	$N \leq 1$	
	$W > 0.7\text{mm}$ or $L > 15\text{mm}$	NG	

Side / Back Appearance Allowance (Including Coating)			
Defect description	Defective Specifications	Allowance	Remarks
Dot Defect (including particles, bubbles, pits...etc.)	$D \leq 1.5\text{mm}$	Ignored	D=Diameter
	$1.5 < D \leq 3\text{mm}$	$N \leq 8$	N=Quantity
	$D > 3\text{mm}$	$N \leq 2$	
Linear Defect (including scratches, fluff, particles)	$W \leq 0.8\text{mm}, L \leq 15\text{mm}$	Ignored	W=Width, L=Length
	$0.8 < W \leq 1.5\text{mm}, L \leq 15\text{mm}$	$N \leq 5$	
	$W > 1.5\text{mm}$ or $L > 15\text{mm}$	NG	



Display Area
(Red Area)



Front Appearance (Red Area)



Back Appearance